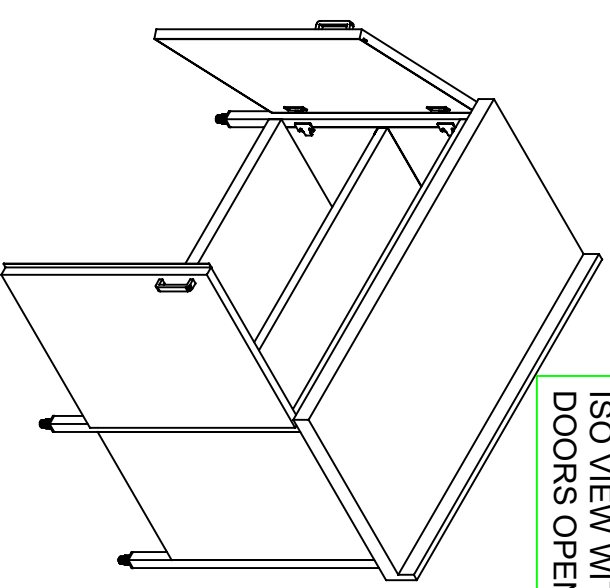
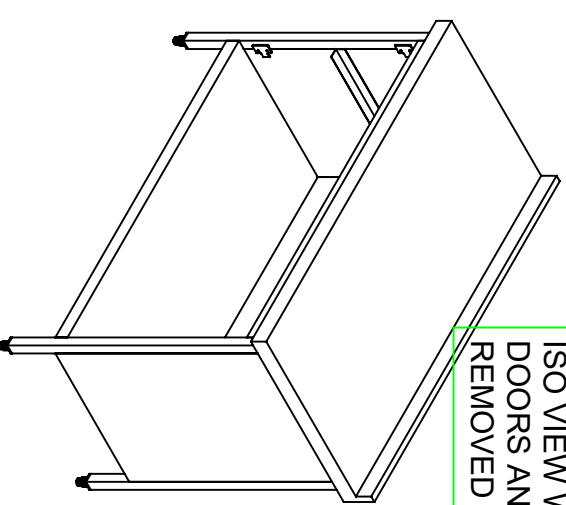


# AISI430Q STAINLESS STEEL CABINET WORKTOP



ISO VIEW WITH  
DOORS OPENED

STAINLESS STEEL WORKTOP WITH UPSTAND FOR WALL POSITIONING  
FIXED BOTTOM SHELF AND REMOVABLE MIDDLE SHELF  
ALUMINIUM ADJUSTABLE FEET +-40mm  
SOFT CLOSE HINGED STAINLESS STEEL DOUBLE SKINNED DOORS  
LOCKABLE DOOR LATCH  
OVERALL DIMENSIONS - 1200mm WIDE X 600mm DEEP X 900mm WORKING HEIGHT  
ALL VISIBLE JOINTS WELDED AND POLISHED TO A SEAMLESS FINISH  
DOUBLE SKINNED SIDE PANELS



ISO VIEW WITH  
DOORS AND SHELF  
REMOVED

A4

Title: SS Cupboard NC12UPM5HD5

Delvo Traders Ltd.

Date: 30/05/24  
Scale: 1:20 @ A4

Drawing No:  
Dwg15539