



BDF22

Dimensions (mm)	External	Internal
Height	850	
Width	740	
Depth	680	
Capacity (ltr)		
Gross		220
Net		180



BDF32

Dimensions (mm)	External	Internal
Height	850	
Width	1030	
Depth	680	
Capacity (ltr)		
Gross		320
Net		273



BDF42

Dimensions (mm)	External	Internal
Height	850	
Width	1270	
Depth	680	
Capacity (ltr)		
Gross		420
Net		355



BDF52

Dimensions (mm)	External	Internal
Height	850	
Width	1530	
Depth	680	
Capacity (ltr)		
Gross		520
Net		445



BDF62

Dimensions (mm)	External	Internal
Height	850	
Width	1810	
Depth	680	
Capacity (ltr)		
Gross		620
Net		545

Features

White laminated exterior
 White painted aluminium interior
 Aluminium door frame
 Lockable curved sliding glass lid
 Internal LED illuminatin
 Defrost water drain hole
 Four castor wheels

Additional Extras

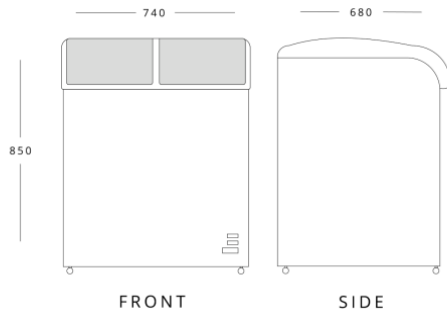
B9-BASKET01 - Basket
 B9-CASTOR01 - Castor
 B9-CASTOR02 - Braked castor



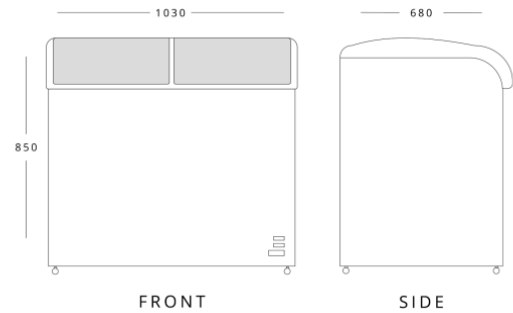
Technical Specification

	BDF22	BDF32	BDF42	BDF52	BDF62
Temperature Range	-18°C ~ -22°C	-18°C ~ -22°C	-18°C ~ -22°C	-18°C ~ -22°C	-18°C ~ -22°C
Climate Class	4	4	4	4	4
Power Supply	13amp	13amp	13amp	13amp	13amp
Cooling	Static	Static	Static	Static	Static
Defrost	Defrost	Defrost	Defrost	Defrost	Defrost
Noise Level	48db	48db	48db	48db	48db
Refrigerant	R290	R290	R290	R290	R290
Energy Efficiency Class	C	C	C	C	D
Energy Consumption (kw/24hrs)	2.08	2.55	2.63	3.23	4.08
Power Usage (w)	186	198	210	248	252
Weight (kg)	58	60.5	69	72.5	81

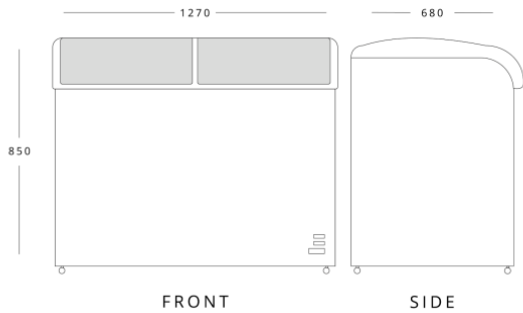
BDF22



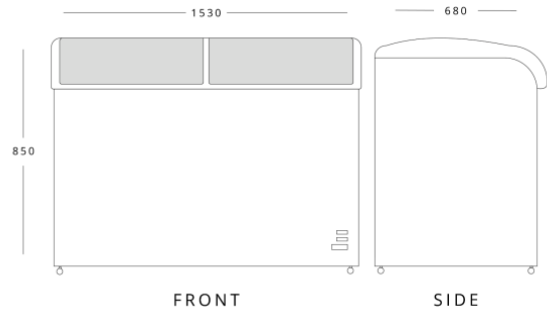
BDF32



BDF42



BDF52



BDF62

