



---

---

# STOVE (GAS)

---

---

## INSTRUCTION AND MAINTENANCE MANUAL

# EXPLANATION

- The instructions in this manual contain important information about the safe installation, use, cleaning and maintenance of the device. For this reason, keep the manual in a place that is easily accessible to the operator and technician..
- The device must be installed, transformed for different gas groups or electrical input, and maintained by a specialist in accordance with the manufacturer's instructions.
- The gas and electrical connections of the device must be made in accordance with the tables and wiring diagram given in this manual.
- Manufacturer; does not accept liability for any damage to persons or property resulting from any operation performed without following the instruction manual, maintenance or technical intervention not performed by authorized technicians.

## Assembly

- The installation, gas installation and adjustment of the device must be carried out by an Authorized Service Technician in accordance with the country standard..
- After the product is in place, it should be fixed to the ground with the help of perforated sheet on the foot. (Figure - 01)
- The appliance should be placed under a filter hood to remove any fumes and odors that may be generated during the cooking process..
- **Use in well-ventilated areas.**
- Place the device at least 10 cm away from the side and rear walls to prevent excessive heat build-up.
- The appliance should be placed under a filter hood to remove any fumes and odors that may be generated during the cooking process.
- Remove the protective nylon from the device. Remove any sticky particles on the device with a suitable cleaner.
- Never leave flammable materials near the appliance.

# Gas Connections

- The appliance must be connected in accordance with the national and local gas standards of the country concerned..
  - **Never connect the device directly to the tube..**
  - Device gas inlets are marked on the body with the label “GAS ”.
  - Connection to the gas installation should be made with metal flex pipe and ball valve of appropriate diameter. The ball valve must be secured to a location away from heat and easily accessible in case of danger.
  - **The Flex connection hose must be changed periodically every 5 years..**
  - After the gas inlet connection is made, check for possible gas leaks.
  - The device must be supplied with the gas and pressure specified on the rating plate.
  - If the type of gas to which the appliance is set does not correspond to the type of gas at the installation site, follow the instructions below..
  -
- CAUTION: All adjustments and modifications to the gas installation and connection of the appliance must be carried out by authorized persons. Gas pressures must not be used other than those specified on the technical data sheet**

## TIPLER

- **7178.1000** – One Flame Stove
- – Double Flame Stove
- – Double Flame Stove ( High Power )
- – Triple Flame Stove
- – Fourth Flame Stove

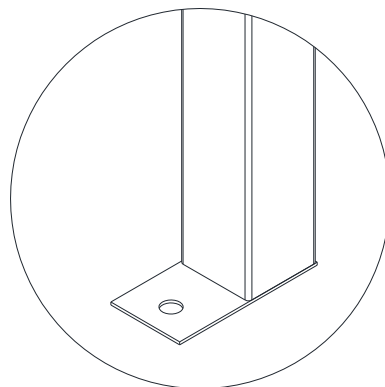
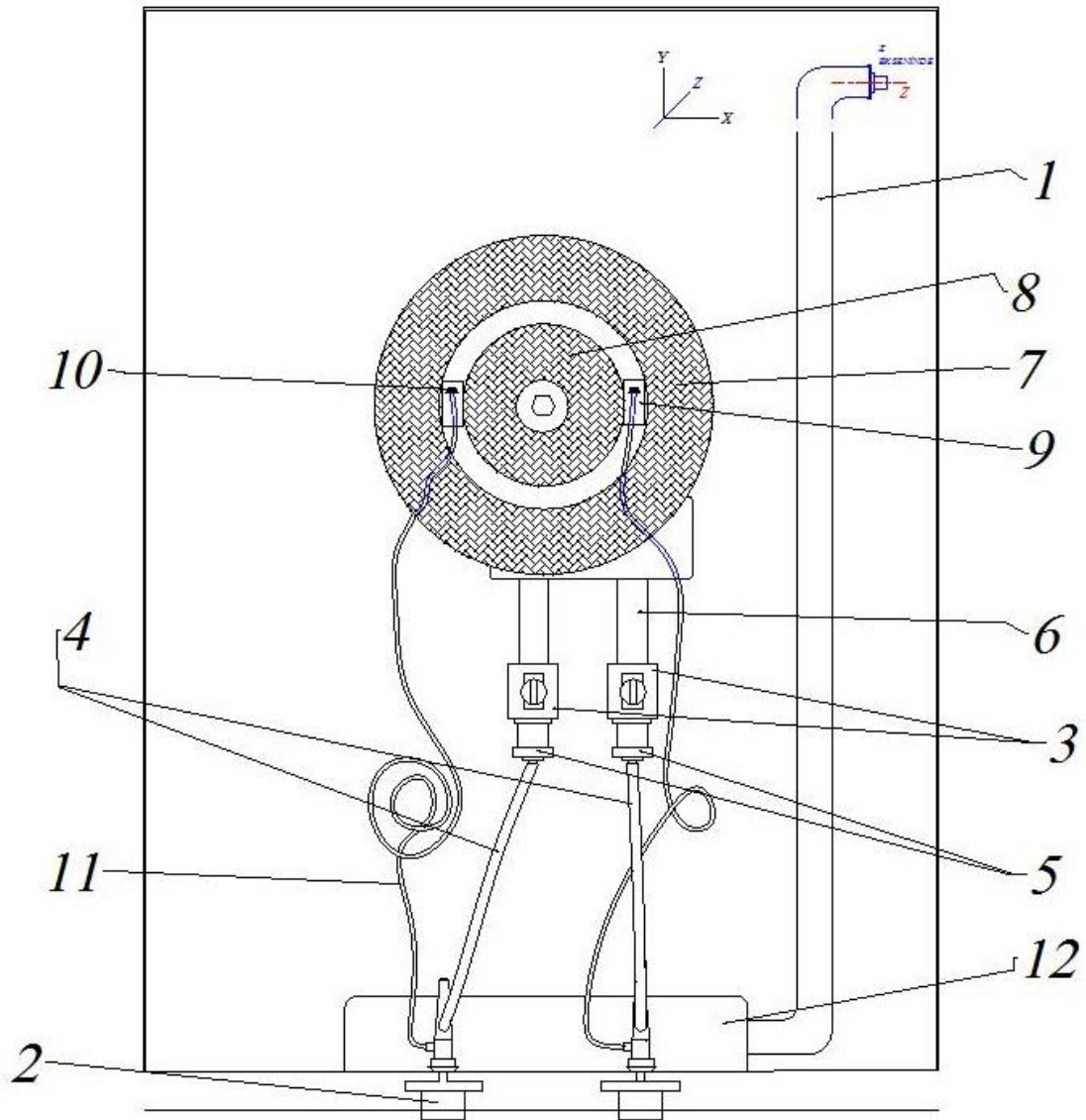


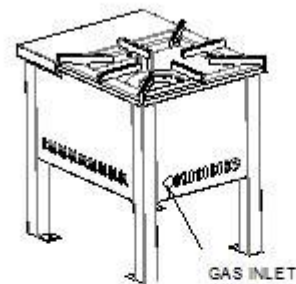
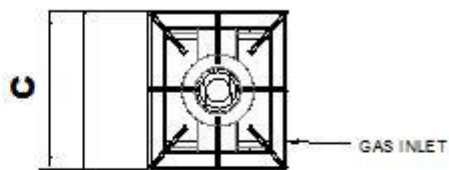
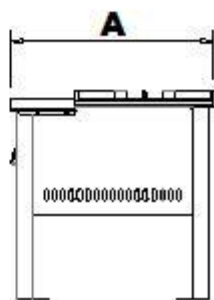
Figure - 01



<b>1</b>	Gas inlet pipe	<b>7</b>	External Burner
<b>2</b>	Knob	<b>8</b>	Inner Burner
<b>3</b>	Gas/air adjustment nut	<b>9</b>	Inner Thermocouple
<b>4</b>	Gas pipes	<b>10</b>	External Thermocouple
<b>5</b>	Injectors	<b>11</b>	Thermocouple
<b>6</b>	Ventüri pipe	<b>12</b>	Gas tank

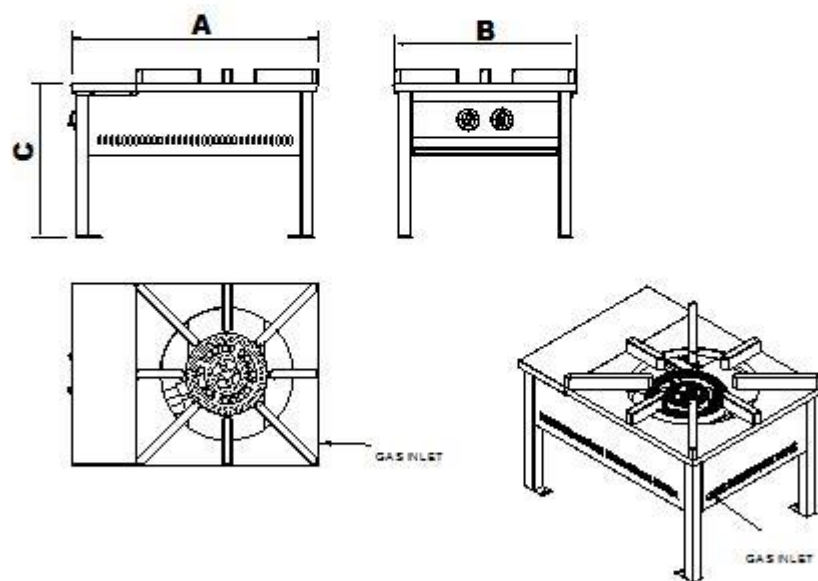
### Technical Data

<i>Tip - Type GRCYO12G</i>									
<i>Width (A)</i>	<i>Depth (B)</i>	<i>Height (C)</i>	<i>Gas Inlet</i>	<i>Heat Power Q<sub>net</sub></i>	<i>Gas</i>	<i>NG Injector (mm)</i>	<i>LPG Injector (mm)</i>	<i>Gross (kg)</i>	<i>Volume (dm<sup>3</sup>)</i>
400	400	500	1/2"	12	G20-20mBar	1.80-3.00	1.30-1.80	35	0.2



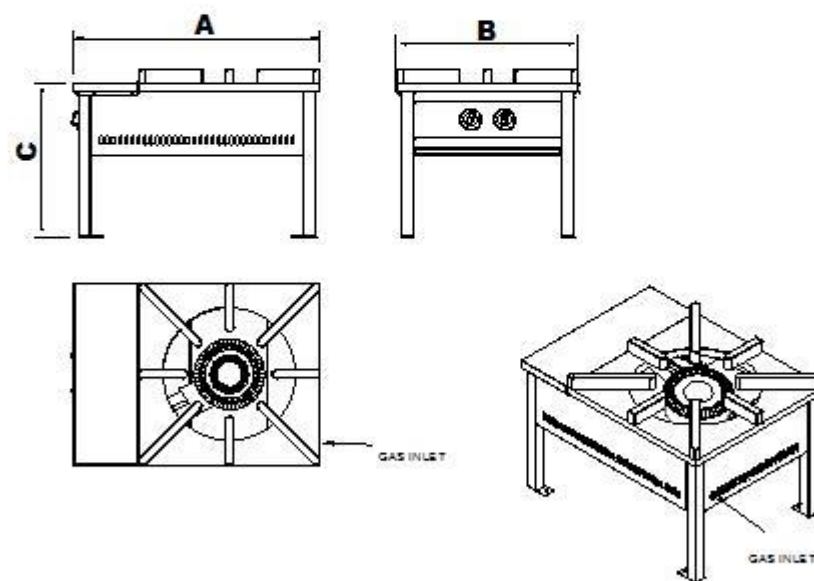
### Technical Data

Type GRCT024G									
Width (A)	Depth (B)	Height (C)	Gas Inlet	Heat Power $Q_{in}$	Gas	NG Injector (mm)	LPG Injector (mm)	Gross (kg)	Volume (m <sup>3</sup> )
800	600	500	1/2"	24	G20-20mBar	1.80-3.00	1.50-1.80	58	0,5



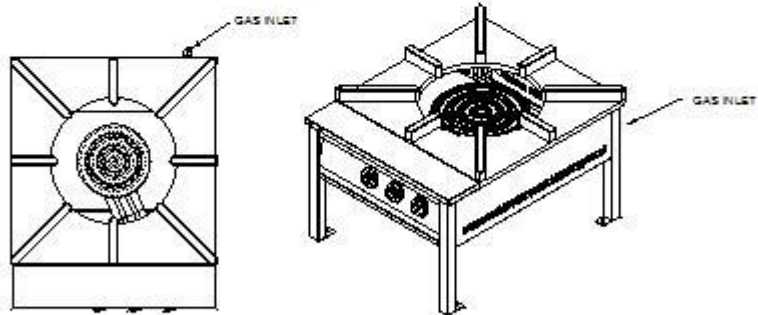
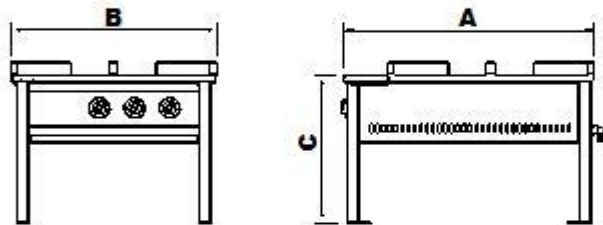
### Technical Data

Type GRCT015G									
Width (A)	Depth (B)	Height (C)	Gas Inlet	Heat Power $Q_{in}$	Gas	NG Injector (mm)	LPG Injector (mm)	Gross (kg)	Volume (m <sup>3</sup> )
800	600	500	1/2"	15	G20-20mBar	2.00-3.00	1.50-1.80	58	0,5



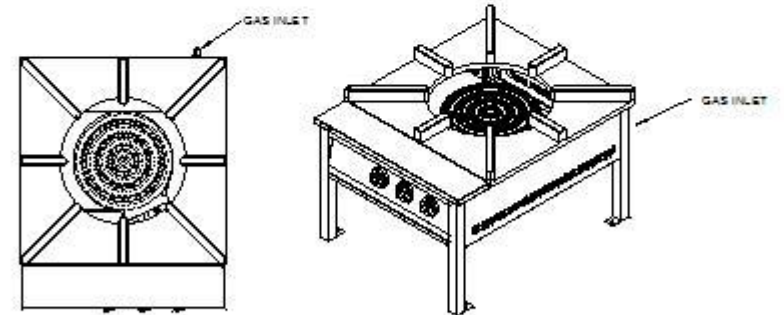
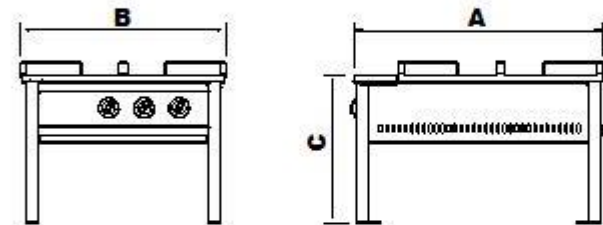
### Technical Data

Type GRCT08G									
Width (A)	Depth (B)	Height (C)	Gas Inlet	Heat Power $Q_{in}$	Gas	NG Injector (mm)	LPG Injector (mm)	Gross (kg)	Volume (lit)
850	700	500	1/2"	32	G20-20mBar	1.90-2.20-2.70	1.00-1.40-1.80	72	0.4



### Technical Data

Type GRCT082G									
Width (A)	Depth (B)	Height (C)	Gas Inlet	Heat Power $Q_{in}$	Gas	NG Injector (mm)	LPG Injector (mm)	Gross (kg)	Volume (lit)
850	700	500	1/2"	32	G20-20mBar	1.00-1.90-2.70-3.4	0.50-1.00-1.40-1.80	72	0.4



# Cleaning and Maintenance

---

- Make sure all taps are closed. If possible, close the valve connected to the device inlet.
- Let the appliance cool down first. Remove coarse dirt with a dry cloth..
- Check the Oil Drawer frequently during cooking. Do not pour used oil into the sink.
- If possible, dispose of the oil in an irreversible garbage (non-recyclable) or in accordance with the regulations in your country.
- Clean with a warm soapy cloth.
- Do not use abrasive cleaning agents such as stains or rust removers and hard surface sponges..
- Always dry your device with a clean cloth after every wet cleaning.
- • Do not use chemicals or steel cleaning agents. Remove dirt immediately. Dirt that remains for a long time can damage the surfaces of your device.
- Clean your appliance regularly, if possible, after each cooking process..
- Do not wash the appliance with high pressure water or steam.

## What to do in case of failure?

---

### During Breakdown



- Repairs should only be carried out by an Authorized Service Agent. Incorrect repairs carried out by unauthorized services may present a hazard to the user..
- During maintenance, the main gas valve must be kept closed and the device should not be approached with fire. After repair or replacement of parts, a tightness test must be carried out, using a foam or gas detector. In case of a dangerous situation, contact the authorized service. Do not allow unqualified persons to interfere with the device.
- **Dangerous: Never allow the flame check to be carried out with flame**

FAULT	REASON	SOLUTION
The appliance does not cook stable.	Some of the burners being clogged.	Close the gas valve. Clogged burner holes of the device should be cleaned by qualified persons with water and the device should be cleaned after each use.
The smell of gas in the room	The screw of the gas tap is worn..	The gas tap must be replaced by the technical service..
	Leakage in gas installation. There is a leak in the gas inlet fittings.	The gas connection must be checked by a technical service. Technical service should be called.
Do not burn the appliance even though the gas connection is made.	Clogged injectors.	Cleaning the gas valve by removing the injector in. the gas circuit by qualified persons.
	There is sediment in the gas used.	Technical service should be called



# Safety Tips and Warnings

---

## Protection from Burns



- The front sheet, body and casting areas will be heated during use and will remain hot for some time after being closed. Therefore, the place of use of the device should be out of the reach of customers and children outside the user.
- Danger of burns! Protect your hands with heat-resistant gloves when using your device. In the meantime, as the thermal conductivity of the glove will be high, make sure it is not wet or damp, your hand may burn.

## In case of malfunction



- If you detect a malfunction in the device, turn off the LPG bottle or the Natural Gas Faucet and call Customer Service. Make sure that the gas connection is not made until the appliance is repaired.
- Any repairs must be performed by an Authorized Service Agent. Repairs made outside of the Authorized Service Center may damage you and the device. Do not open the housing in any way. Repairs must be carried out by an Authorized Service Center during the warranty period. Failure to do so will result in the repair of any subsequent defects..

## Things to do before first use

---

- Keep the instruction manual and give it to the next owner of the device.
- Before installing your device, check for visible damage. Do not install or use a damaged device.
- During the first operation, smoke and odor will be emitted from the device for a short time. Smoke and odor insulation material and oil etc. on sheet surfaces. substances. This situation is not dangerous and will disappear by itself.

## Packing

- The packaging device protects against damage during transportation. Remove all packaging and protective material before use.