

Family
COOKING EQUIPMENT STAR 90

Section
BOILING PANS SINGLE JACKET AND DOUBLE WATER JAC

Model
NPI98E15V

Code
CR0789830

150-LITRE INDIRECT HEAT ELECTRIC BOILING PAN. MODEL WITH AUTOMATIC CONDENSED STEAM OUTLET.

Indirect heat electric boiling pan constructed in AISI 304 stainless steel. Top in 20/10 thick AISI 304 stainless steel. Kettle bottom in polished AISI 316L stainless steel, walls in AISI 304 stainless steel. 150-litre kettle capacity. Filling with hot or cold water through solenoid valve activated by a switch, fixed water tap located on top. 2" safety drain tap with grip in heatproof material. Counter-balanced lid with 90° opening and handle offering front and side grip. Indirect heating with low-pressure steam generated by the water in the jacket: safe and easy operation thanks to pressure gauge, safety valve and compensating valve. Innovative control system with "no water" warning light; heating restarts after the water level in the jacket has been restored. Indirect heating with armoured heating elements inside the jacket. Thick insulating panels for thermal insulation of kettle. Temperature controlled by an energy regulator. Indicator leds for verifying correct appliance operation. Diameter of kettle 600 mm. Model equipped with safety thermostat with reset button accessible to the user. Height adjustable feet in stainless steel. IPX5 protection rating.



Technical data

Width mm:	800	Internal dim. oven mm:	
Depth mm:	900	Oven capacity:	
Height mm:	870	Oven power kW:	
Weight kg.:	153.00	Qty heating zones:	1 x 21 kW
Volume m ³ :	1.00	Plate dim. mm:	
Power supply:	VAC400 3N 50Hz	Dim. heating zone mm:	
Gas power kW:		Qty tank:	
Electric power kW:	21.00	Tank dim. mm:	Ø595x608h
		Tank capacity l:	150

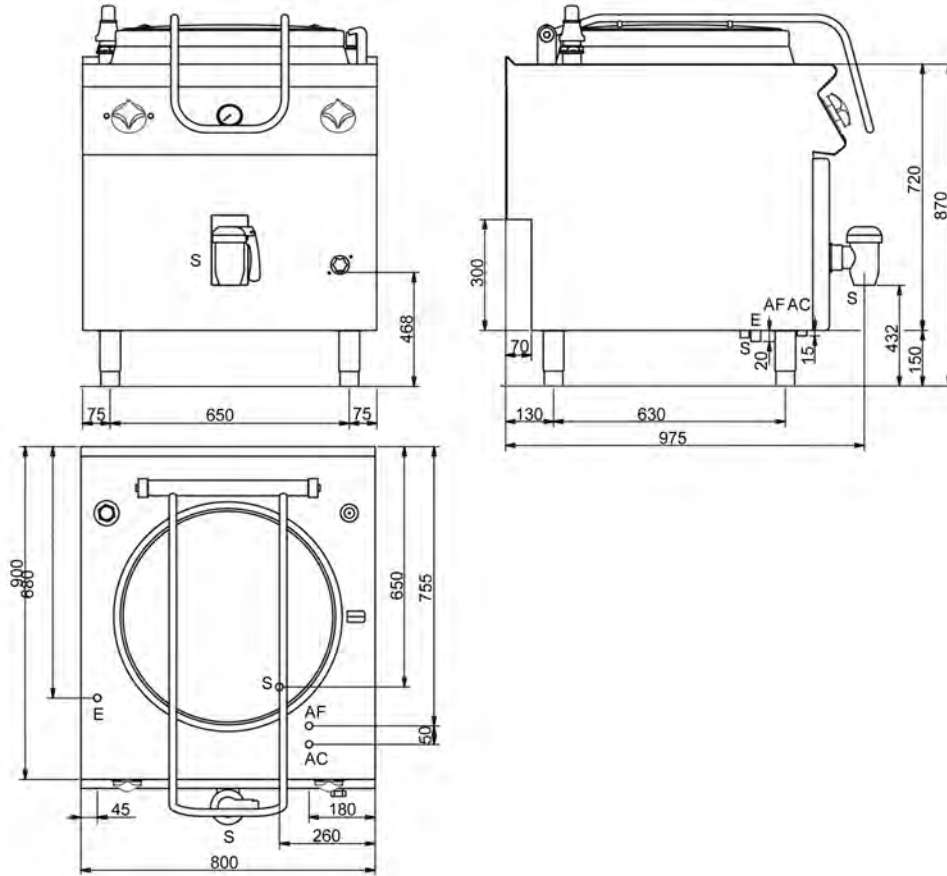
Family
COOKING EQUIPMENT STAR 90

Section
BOILING PANS SINGLE JACKET AND DOUBLE WATER JAC

Model
NPI98E15V

Code
CR0789830

150-LITRE INDIRECT HEAT ELECTRIC BOILING PAN. MODEL WITH AUTOMATIC CONDENSED STEAM OUTLET.



Legend

(E) Socket 1: Connection supply terminal floor level (+100mm). Spare cable 1500mm

(E) Socket 2:

(G) Gas:

(AD) Softened water:

(AF) Cold water: Ø1/2"-H=200mm

(AC) Hot water: Ø1/2"-H=200mm

(S) Draining:

(FR) In e out freon:

(V) Steam: