



LC206B - Lincat Visual Cooking 2.06 Electric Counter-top Combi Oven - Boiler - W 1122 mm - 21.0 kW

Choose Visual Cooking where high output and precise control are required.

- ✓ Intuitive touch display SmartTouch® for programming
- ✓ Efficient, controlled production and injection of steam, with hybrid boiler and injection steam production
- ✓ CombiSmart® 10-step humidity control, and ClimaOptima® automatic humidity control functions
- ✓ Ability to create cooking programmes with up to 15 steps
- ✓ Rack timer allowing accurate cooking times for different items on different shelves
- ✓ 6 x GN2/1 capacity
- ✓ Ideal for menus which require a high volume of steaming
- ✓ Two-step safety handle

Specifications

Summary Power and Performance

<p>Brand Lincat</p> <p>Range Lincat Combi Ovens</p> <p>Series Visual Cooking</p> <p>Power Type Electric</p> <p>Unit Type Counter-top</p> <p>Available in UK Only Yes</p> <p>UK Warranty 2 Years Parts and Labour Warranty</p> <p>GTIN 5056105120407</p>	<p>Total Power kW 21</p> <p>Temperature Range °C 30-300</p> <p>IP Rating IPX5</p> <p>Temperature Control Electronic</p> <p>Oven Rating kW Steam connection = 21.0; Hot air connection = 21.0</p>
---	---

Key Specifications Capacity

<p>WRAS Approved Yes</p> <p>Type of Lighting Halogen</p> <p>Number of Grids included 0</p>	<p>Gastronorm Capacity 6 x GN2/1</p> <p>Portions per Day 180</p>
---	--

Weights and Dimensions Supply Connections

<p>Unit Height (External) mm 815</p> <p>Unit Width (External) mm 1122</p> <p>Unit Depth (External) mm 951</p> <p>Height (Internal) mm 525</p> <p>Width (Internal) mm 620</p> <p>Depth (Internal) mm 795</p> <p>Net Weight Kg 170</p>	<p>Requires Installation Yes</p> <p>Requires Electrical Supply Yes</p> <p>UK 3 Pin Plug No</p> <p>Requires Hardwiring Yes</p> <p>Electrical Supply Rating Watts 21,000</p> <p>Three Phase Amps L1=31.0; L2=31.0; L3=31.0</p> <p>Three Phase Voltage 400</p> <p>Water Connection Pressure Bar 2.5-6</p> <p>Drain Connection DN 50 mm</p> <p>Water Connection 3/4"</p>
---	--

Shipping

Packed Weight Kg	187
Packed Height cm	95
Packed Width cm	110
Packed Depth cm	125

Available Options

INSTALLATION

LCO2001 Site Survey & Installation

COMMISSIONING

LCO3001 Commissioning

R/H DOOR INSTALL

LCO2002 Right Hinged Door Installation

Available Accessories

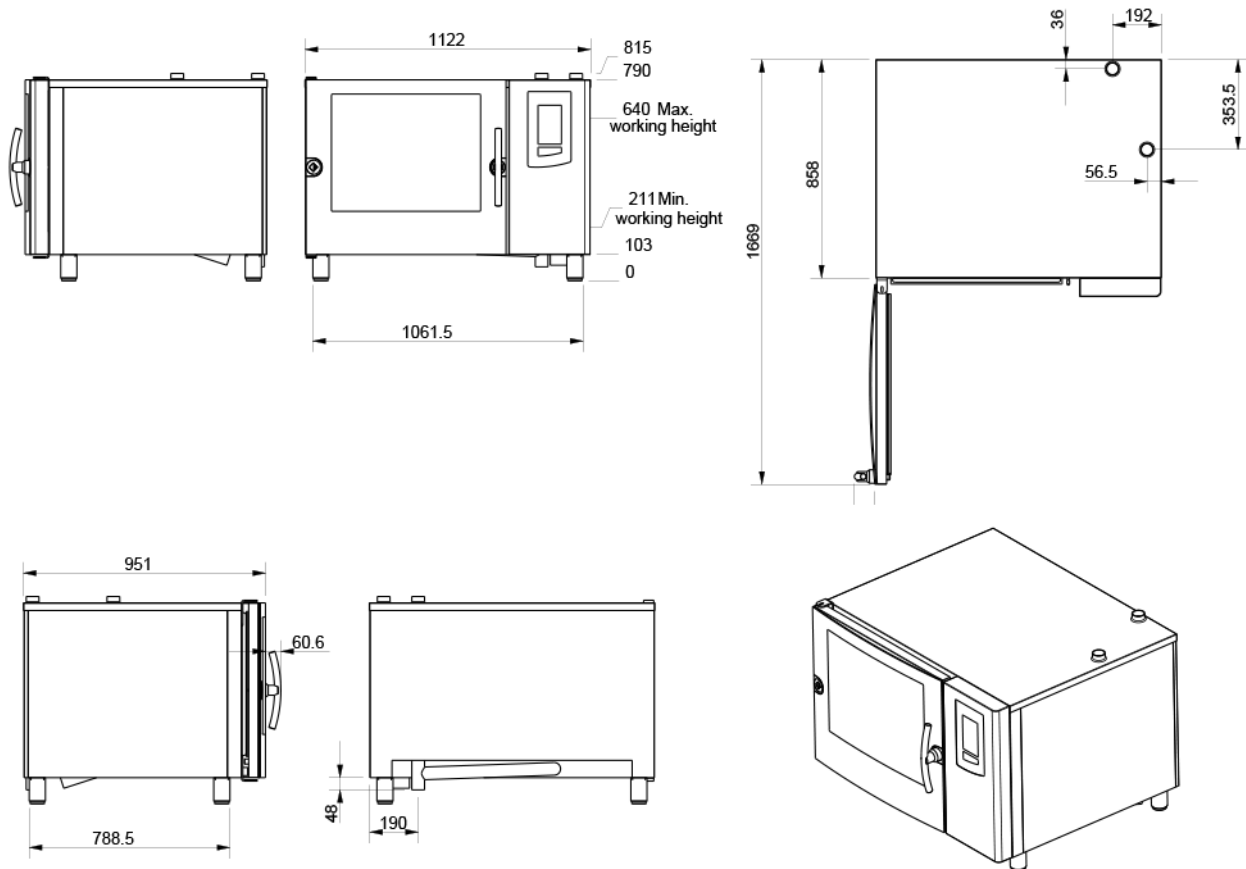
LCA1007L	Lincat Combi Oven CombiPlus Stacking Kit and Low Floor Stand - for Visual Cooking 2.06 on 2.06 Electric - Standard Left Hinged Model
LCA1007R	Lincat Combi Oven CombiPlus Stacking Kit and Low Floor Stand - for Visual Cooking 2.06 on 2.06 Electric - Right Hinged Model
LCA1008L	Lincat Combi Oven CombiPlus Stacking Kit and Low Floor Stand - for Visual Cooking 2.06 on 2.10 Electric - Standard Left Hinged Model
LCA1008R	Lincat Combi Oven CombiPlus Stacking Kit and Low Floor Stand - for Visual Cooking 2.06 on 2.10 Electric - Right Hinged Model
LCA3003	Lincat Combi Oven Imperial Non-stick Container - GN1/1(325 x 530 mm) - 20 mm deep
LCA3005	Lincat Combi Oven Imperial Non-stick Container - GN1/1(325 x 530 mm) - 40 mm deep
LCA3007	Lincat Combi Oven Imperial Non-stick Container - GN1/1(325 x 530 mm) - 60 mm deep
LCA3009	Lincat Combi Oven Imperial Pizza and Grilling Sheet - GN1/1(325 x 530 mm)
LCA3011	Lincat Combi Oven Imperial Grilling Grid - GN1/1(325 x 530 mm)
LCA3012	Lincat Combi Oven Imperial Potato Grid - GN1/1(325 x 530 mm) - 28 Potato Capacity
LCA3013	Lincat Combi Oven Imperial Multi-tray - 8 Moulds - GN1/1(325 x 530 mm)
LCA3015	Lincat Combi Oven Non-stick Aluminium Baking Sheet - GN1/1(325 x 530 mm)
LCA3021	Lincat Combi Oven Steamfry Basket - GN1/1(325 x 530 mm)
LCA3023	Lincat Combi Oven Rack for Spare Ribs - GN1/1(325 x 530 mm)
LCA3024	Lincat Combi Oven Chicken Grid - GN1/2 (325 x 265 mm) - 4 Chicken Capacity
LCA3025	Lincat Combi Oven Chicken Grid - GN1/1(325 x 530 mm) - 8 Chicken Capacity
LCA4001	Lincat Combi Oven Software Key - Quick Select Recipes (QSR)
LCA4002	Lincat Combi Oven Software Key - Advanced Rack Timer - Tailored Menu Handling
LCA5002	Lincat Combi Oven Condenser Hood - for Visual Cooking 2.06/2.10/2.20 not Stacked Units
LCA6003	Lincat Combi Oven Static Stand for Visual Cooking 2.01/2.10 - 8 Pairs of Support Rails
LCA6005	Lincat Combi Oven Mobile Stand for Visual Cooking 2.01/2.10 - 8 Pairs of Support Rails
LCC1001	Hydro Shield 3600(L) Water Filter Cartridge - Recommended for CombiSlim and Visual Cooking 1.06/1.10
LCC1002	Hydro Shield 6000(XL) Water Filter Cartridge - Recommended for Visual Cooking 1.20/2.06/2.10/2.20 and all Combi Ovens in hard water areas
LCC1003	Hydro Shield 3600(L) Water Filter Kit - Including Filter, Filter Head and Hose - Recommended for CombiSlim and Visual Cooking 1.06/1.10
LCC1004	Hydro Shield 6000(XL) Water Filter Kit - Including Filter, Filter Head and Hose - Recommended for 1.20/2.06/2.10/2.20 + all Ovens in hard water areas
LCC2003	Lincat Protect Intense Detergent - 2 x 5l
LCC2005	Lincat Protect Cleaning Package - 6 x 5l Intense Detergent and 2 x 5l Rinse Aid

Available Accessories

LCC2006

Lincat Protect Rinse Aid - 2 x 5l

Technical Picture





Lincat Limited

Whisby Road,
Lincoln, LN6 3QZ,
United Kingdom

Company No: 2175448

A member company of



Customer Care

Tel: +44 1522 875500
Email: care@lincat.co.uk

Export Customers

Tel: +44 1522 875536
Email: export@lincat.co.uk

Opening Hours

Monday – Friday:
8.30am – 5pm