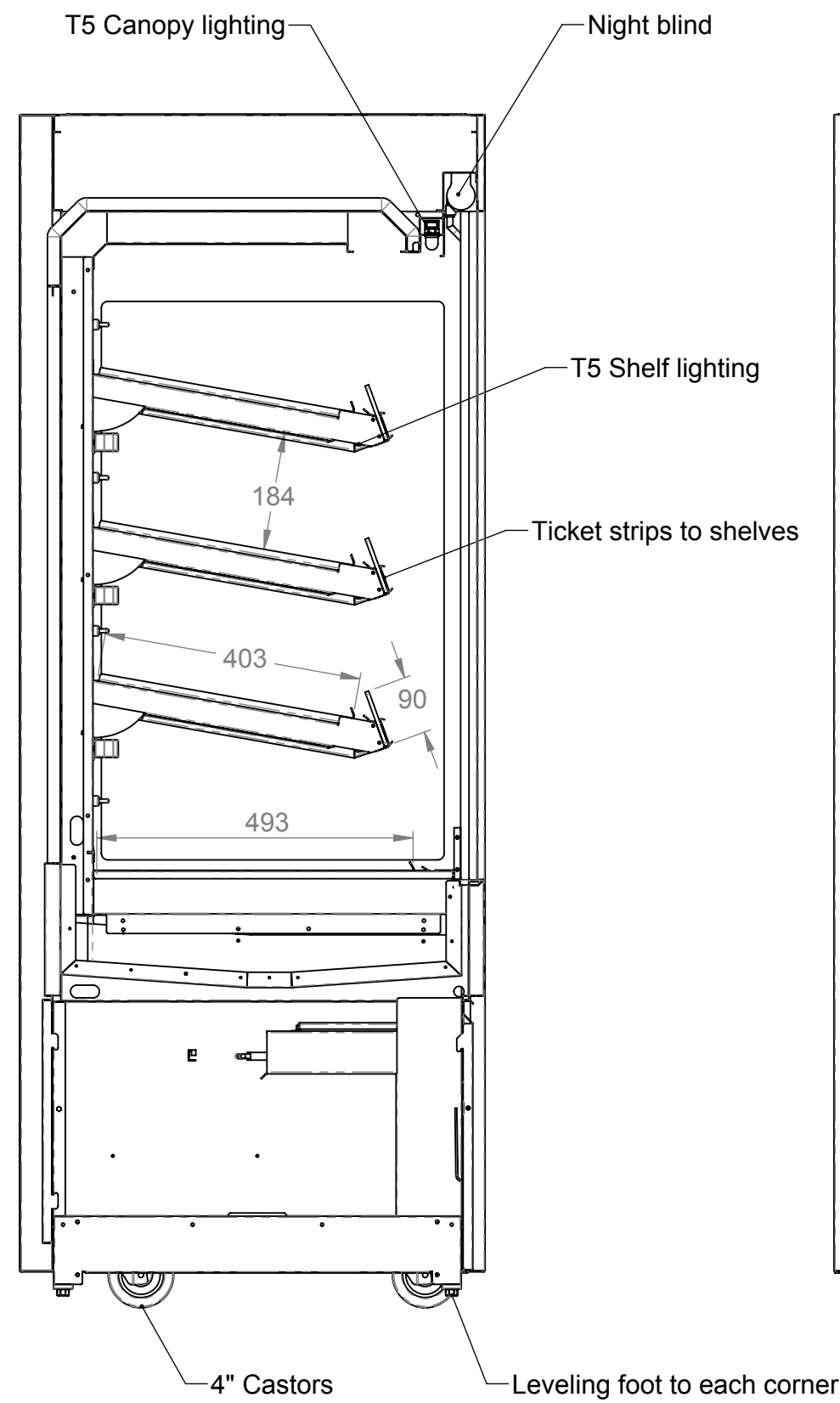
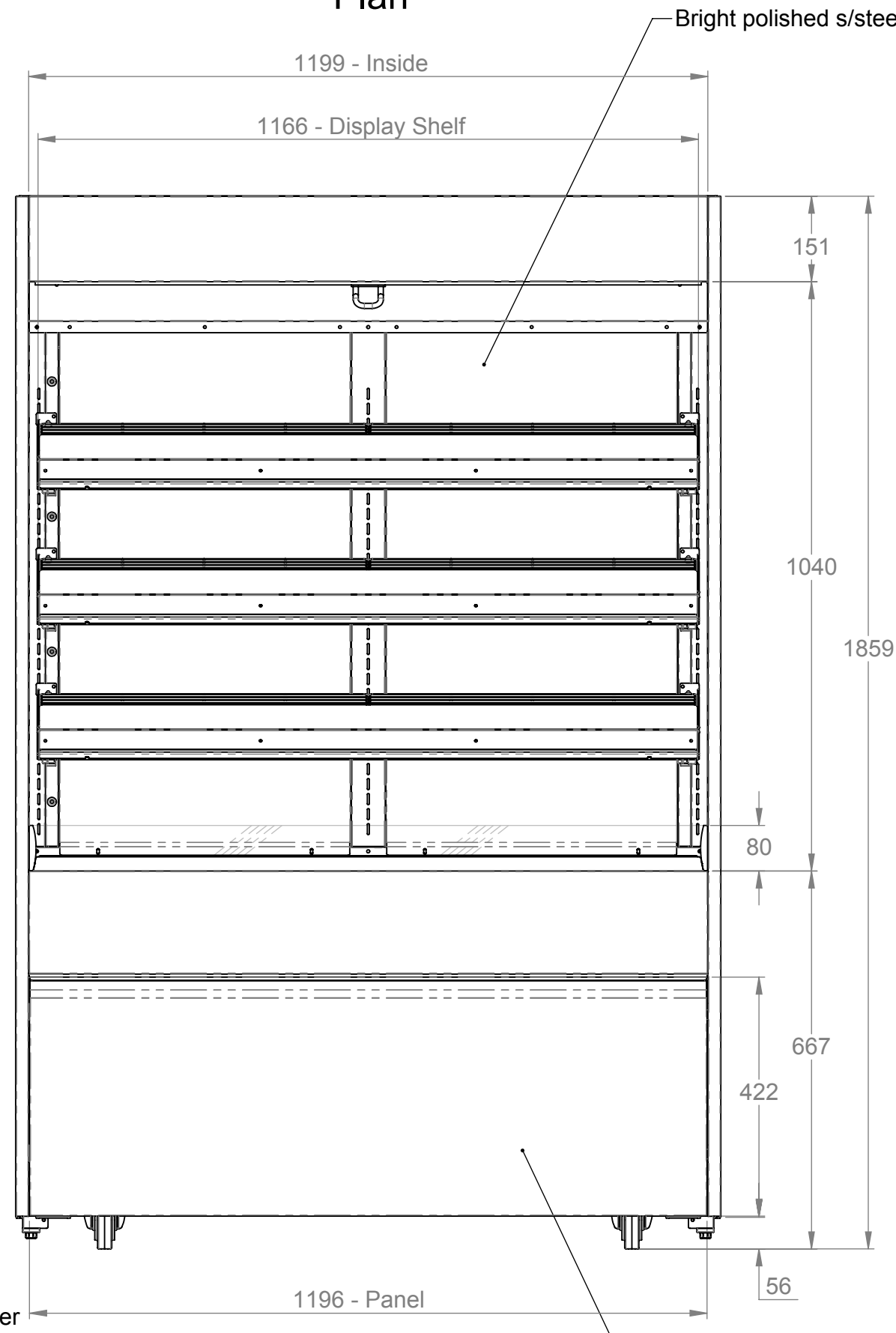


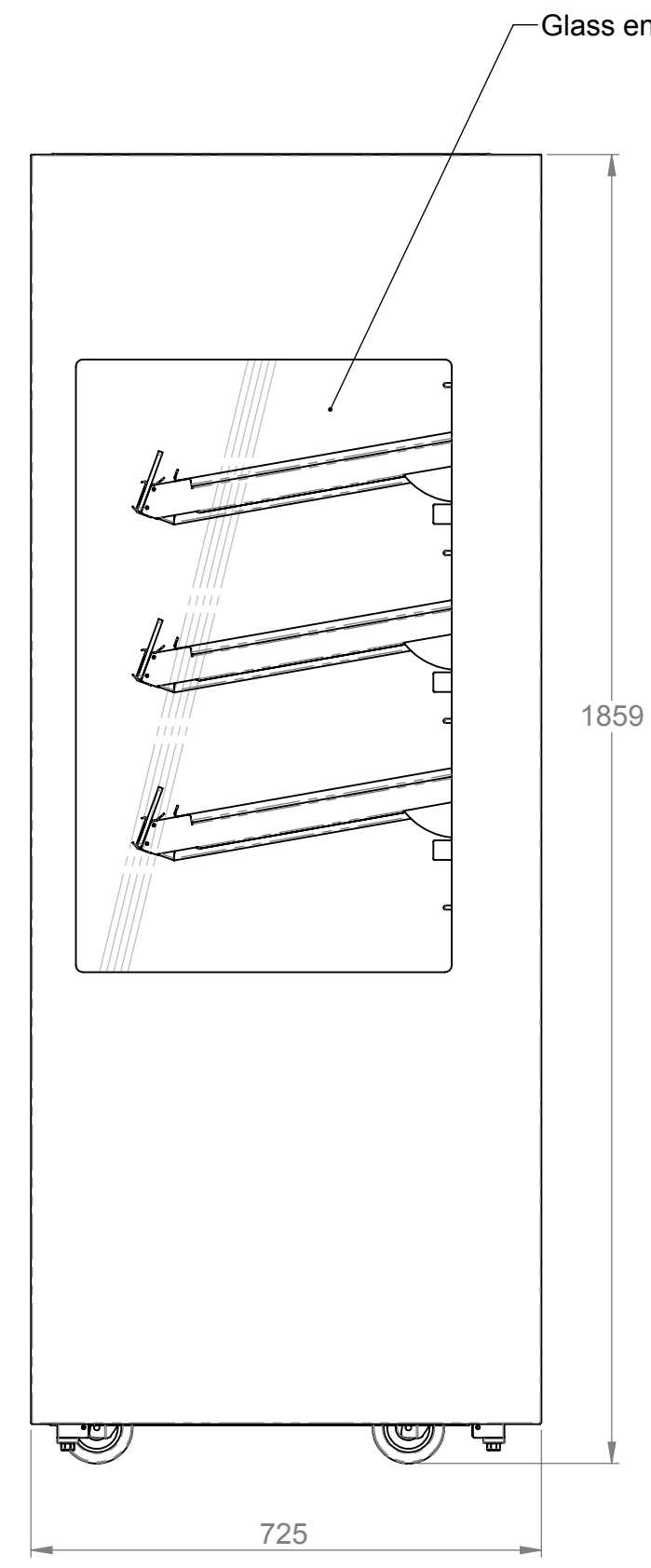
Plan



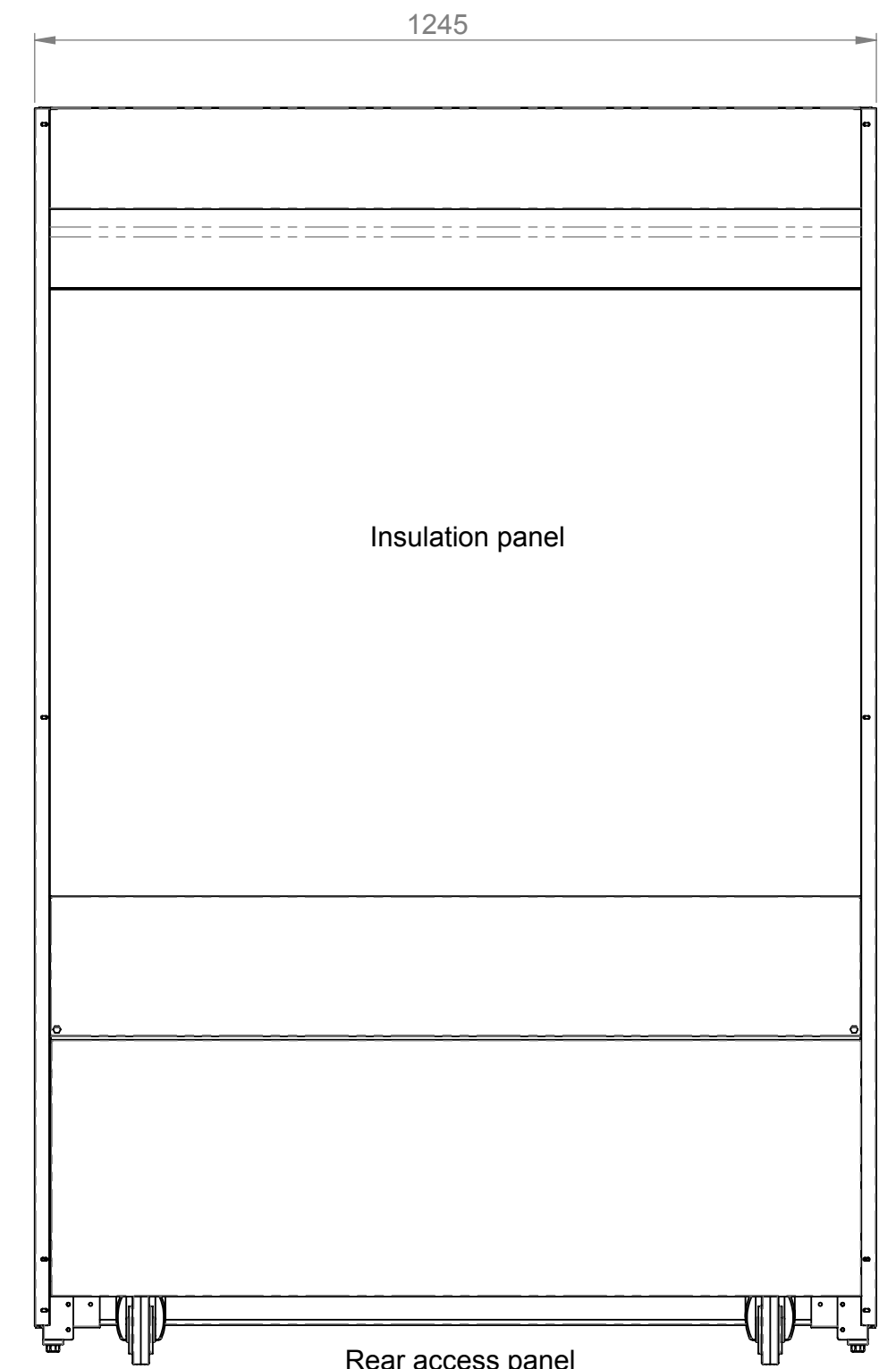
End elevation



Front elevation




End elevation



Rear elevation

ELECTRICAL SPEC - 20A, 230V,
(min 1.5Kw - max 4Kw)
Via commando plug on 2.5 Metre lead
Weight - 350 Kg Approx

Assembly No - HHCMD12-NB-GE

Issue	Date	Description
 Randles Rd, Knowsley Business Park, Merseyside L34 9HZ. Tel: 0151 548 2211 Fax: 0151 549 2179		
Title: Heated Multi Tier 1200		
Drg No :	Issue:	Date: 21/07/2017
17-213--A		Scale: 1:10 @ A2
		Chk'd:
Drn by: G Burgess	All dims in MM	Date: