



## UMS050 - Lincat Seal Counter-top Upright Heated Merchandiser with Oven - Static Rack - Single Door - W 562 mm - 2.8 kW

Entice your customers with tempting displays of pizza, pies and pastries with the Seal Upright Heated Merchandiser with Oven.

- ✔ Combination model with oven and merchandiser in one convenient counter-top unit
- ✔ Square static chrome plated rack for attractive appearance and ease of cleaning
- ✔ Minimum food holding temperature of 72°C
- ✔ Humidity feature keeps food in perfect condition for longer, minimising waste
- ✔ Thermostatic control up to 95°C
- ✔ Suitable for back-service applications

### Specifications

#### Summary

|                             |                                   |
|-----------------------------|-----------------------------------|
| <b>Brand</b>                | Lincat                            |
| <b>Range</b>                | Seal                              |
| <b>Power Type</b>           | Electric                          |
| <b>Unit Type</b>            | Counter-top                       |
| <b>Available in UK Only</b> | No                                |
| <b>UK Warranty</b>          | 2 Years Parts and Labour Warranty |
| <b>Export Warranty</b>      | Contact your local dealer         |
| <b>GTIN</b>                 | 5056105104490                     |

#### Power and Performance

|                             |            |
|-----------------------------|------------|
| <b>Total Power kW</b>       | 2.80       |
| <b>Temperature Range °C</b> | 50-250     |
| <b>IP Rating</b>            | IP33       |
| <b>Temperature Control</b>  | Mechanical |
| <b>Oven Rating kW</b>       | 1.4        |

#### Key Specifications

|                                   |              |
|-----------------------------------|--------------|
| <b>Number of Shelves included</b> | 3            |
| <b>Number of Shelf Positions</b>  | 3            |
| <b>Service Type</b>               | Back service |
| <b>Rack Type</b>                  | Static       |
| <b>Type of Lighting</b>           | Fluorescent  |
| <b>Heated Base</b>                | Yes          |

#### Weights and Dimensions

|                                  |                           |
|----------------------------------|---------------------------|
| <b>Unit Height (External) mm</b> | 925                       |
| <b>Unit Width (External) mm</b>  | 562                       |
| <b>Unit Depth (External) mm</b>  | 562                       |
| <b>Height (Internal) mm</b>      | 370 Display; 136 Oven     |
| <b>Width (Internal) mm</b>       | 554 Display; 400 Oven     |
| <b>Depth (Internal) mm</b>       | 554 Display; 394 Oven     |
| <b>Shelf Dimensions Width mm</b> | 3 x 420 Display; 388 Oven |
| <b>Shelf Dimensions Depth mm</b> | 3 x 446 Display; 394 Oven |
| <b>Net Weight Kg</b>             | 62.1                      |

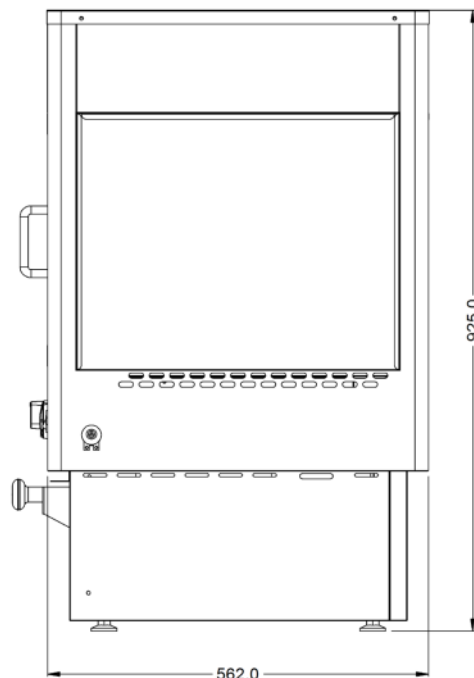
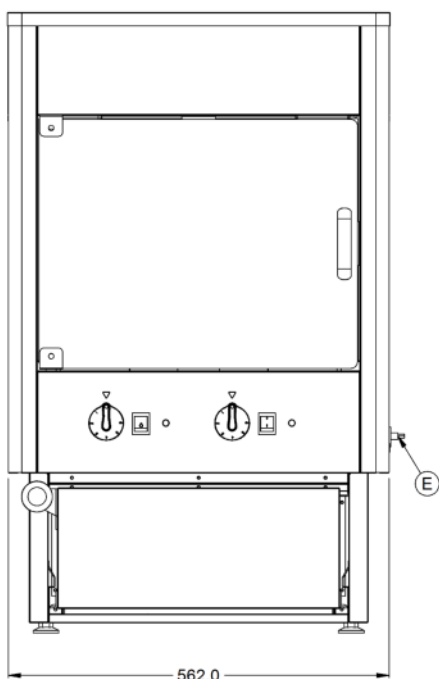
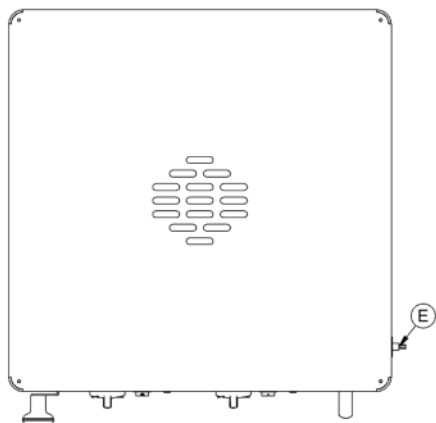
#### Supply Connections

|                                       |       |
|---------------------------------------|-------|
| <b>Requires Installation</b>          | No    |
| <b>UK 3 Pin Plug</b>                  | Yes   |
| <b>Requires Hardwiring</b>            | No    |
| <b>Electrical Supply Rating Watts</b> | 2,800 |
| <b>Single Phase Amps</b>              | 12.2  |
| <b>Single Phase Voltage</b>           | 230   |

#### Shipping

|                         |       |
|-------------------------|-------|
| <b>Packed Weight Kg</b> | 68.31 |
| <b>Packed Height cm</b> | 110   |
| <b>Packed Width cm</b>  | 69.5  |
| <b>Packed Depth cm</b>  | 66.5  |

Technical Picture



**Lincat Limited**

Whisby Road,  
Lincoln, LN6 3QZ,  
United Kingdom

**Company No:** 2175448

A member company of



**Customer Care**

**Tel:** +44 1522 875500  
**Email:** care@lincat.co.uk

**Export Customers**

**Tel:** +44 1522 875536  
**Email:** export@lincat.co.uk

**Opening Hours**

**Monday – Friday:**  
8.30am – 5pm