



## SCR785 - Lincat Seal Counter-top Refrigerated Food Display Showcase - W 785 mm - 0.602 kW

Enhance your food sales by showcasing sandwiches, baguettes, yoghurts, fruit and drinks in the Seal Food Display Showcase.

- ✓ The unit has precise thermostatic control of temperature with digital display and high/low temperature warning, which gives the user confidence that their food will stay fresh
- ✓ Holds food at 3°C-7°C in ambient conditions up to 25°C
- ✓ Removable side glass for easy cleaning
- ✓ The easy to change light tubes give an even balanced illumination to light up the unit – putting the food in the spotlight.
- ✓ Base-mounted refrigeration for all-round visibility to maximise food sales potential

### Specifications

#### Summary

<b>Brand</b>	Lincat
<b>Range</b>	Seal
<b>Power Type</b>	Electric
<b>Unit Type</b>	Counter-top
<b>Available in UK Only</b>	No
<b>UK Warranty</b>	2 Years Parts and Labour Warranty
<b>Export Warranty</b>	Contact your local dealer
<b>GTIN</b>	5056105104421

#### Power and Performance

<b>Total Power kW</b>	0.602
<b>Temperature Range °C</b>	3-7
<b>IP Rating</b>	IP33
<b>Temperature Control</b>	Electronic

#### Key Specifications

<b>Number of Shelves included</b>	1
<b>Number of Shelf Positions</b>	1
<b>Refrigerant Type</b>	R452a
<b>Service Type</b>	Back service
<b>Type of Lighting</b>	Fluorescent

#### Weights and Dimensions

<b>Unit Height (External) mm</b>	665
<b>Unit Width (External) mm</b>	785
<b>Unit Depth (External) mm</b>	750
<b>Shelf Dimensions Width mm</b>	733
<b>Shelf Dimensions Depth mm</b>	355
<b>Net Weight Kg</b>	82

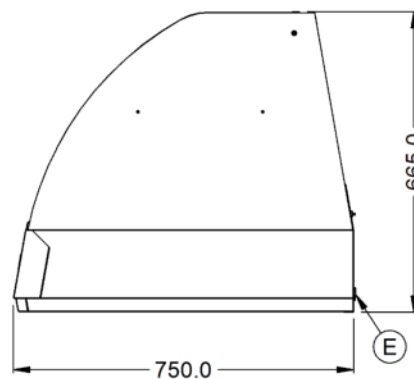
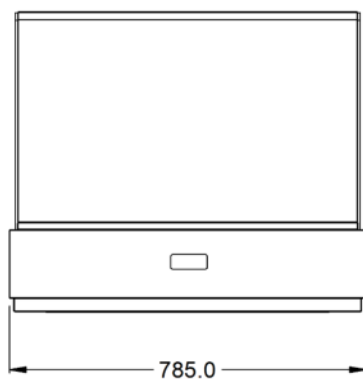
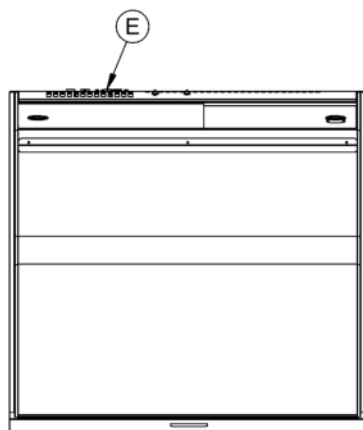
#### Supply Connections

<b>Requires Installation</b>	No
<b>Requires Electrical Supply</b>	Yes
<b>UK 3 Pin Plug</b>	Yes
<b>Requires Hardwiring</b>	No
<b>Electrical Supply Rating Watts</b>	602
<b>Single Phase Amps</b>	2.60
<b>Single Phase Voltage</b>	230

#### Shipping

<b>Packed Weight Kg</b>	90.2
<b>Packed Height cm</b>	90
<b>Packed Width cm</b>	81
<b>Packed Depth cm</b>	80

### Technical Picture



**Lincat Limited**

Whisby Road,  
Lincoln, LN6 3QZ,  
United Kingdom

**Company No:** 2175448

A member company of



**Customer Care**

**Tel:** +44 1522 875500  
**Email:** care@lincat.co.uk

**Export Customers**

**Tel:** +44 1522 875536  
**Email:** export@lincat.co.uk

**Opening Hours**

**Monday – Friday:**  
8.30am – 5pm