



SCR1085 - Lincat Seal Counter-top Refrigerated Food Display Showcase - W 1085 mm - 0.621 kW

Enhance your food sales by showcasing sandwiches, baguettes, yoghurts, fruit and drinks in the Seal Food Display Showcase.

- ✓ The unit has precise thermostatic control of temperature with digital display and high/low temperature warning, which gives the user confidence that their food will stay fresh
- ✓ Holds food at 3°C-7°C in ambient conditions up to 25°C
- ✓ Removable side glass for easy cleaning
- ✓ The easy to change light tubes give an even balanced illumination to light up the unit – putting the food in the spotlight.
- ✓ Base-mounted refrigeration for all-round visibility to maximise food sales potential

Specifications

Summary

Brand	Lincat
Range	Seal
Power Type	Electric
Unit Type	Counter-top
Available in UK Only	No
UK Warranty	2 Years Parts and Labour Warranty
Export Warranty	Contact your local dealer
GTIN	5056105104400

Power and Performance

Total Power kW	0.621
Temperature Range °C	3-7
IP Rating	IP33
Temperature Control	Electronic

Key Specifications

Number of Shelves included	1
Number of Shelf Positions	1
Refrigerant Type	R452a
Service Type	Back service
Type of Lighting	Fluorescent

Weights and Dimensions

Unit Height (External) mm	665
Unit Width (External) mm	1085
Unit Depth (External) mm	750
Shelf Dimensions Width mm	1,033
Shelf Dimensions Depth mm	355
Net Weight Kg	98.5

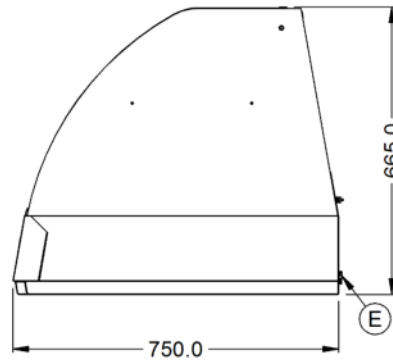
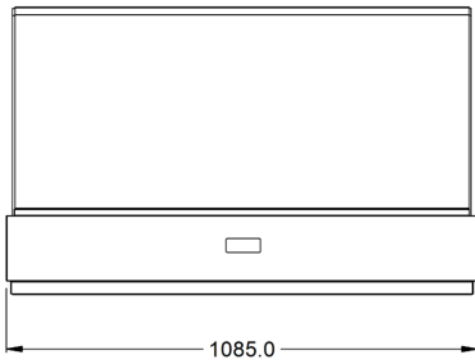
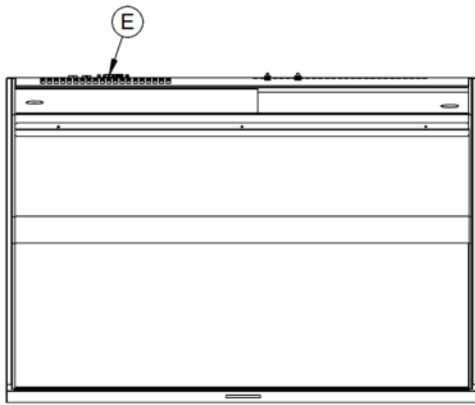
Supply Connections

Requires Installation	No
Requires Electrical Supply	Yes
UK 3 Pin Plug	Yes
Requires Hardwiring	No
Electrical Supply Rating Watts	621
Single Phase Amps	2.70
Single Phase Voltage	230

Shipping

Packed Weight Kg	108.35
Packed Height cm	90
Packed Width cm	117
Packed Depth cm	85

Technical Picture



Lincat Limited

Whisby Road,
Lincoln, LN6 3QZ,
United Kingdom

Company No: 2175448

A member company of



Customer Care

Tel: +44 1522 875500
Email: care@lincat.co.uk

Export Customers

Tel: +44 1522 875536
Email: export@lincat.co.uk

Opening Hours

Monday – Friday:
8.30am – 5pm