



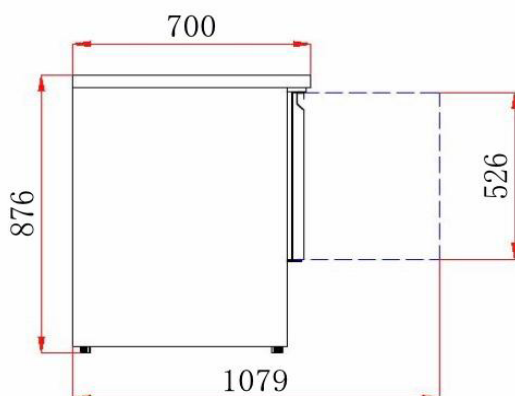
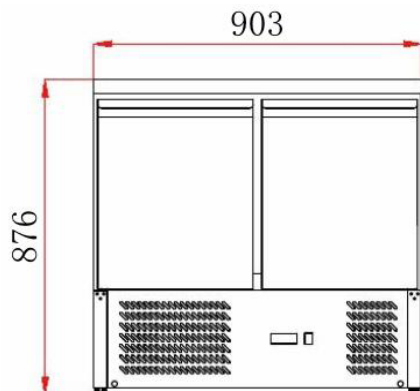
RC2DKE
Drawer Set



CONSTRUCTION FEATURES

- All stainless build
- GN1/1 Understorage
- Space saving bottom motor
- Digital controller
- Fan chilled interior
- 2 and 4 Drawers option
- Auto defrost
- Adjustable shelves
- 2 Shelves inc. with HSRC235

MEASUREMENTS



TECHNICAL SPECIFICATION

Model	HSRC 235 Fridge
Dimensions	W900 x D700 x H876
Capacity	240 Litres
Shelves	2
Temperature	+2°C to +5°C
Compressor	DONPER
Refrigerant	R600a
Energy Class	C
Power	13 Amp Plug-in
Nett Weight	81 Kg.

REFRIGERATION SYSTEM

- Refrigeration system uses R600a refrigerant to comply with up to date environmental law
- Automatic defrost without heater
- The system is regulated and programmable by a Dixell electronic controller