



## F52/500 - IMC Vulture 525 In-tabling Food Waste Disposer - 1 Phase - W 330 mm - 0.5 kW

Reliable, efficient, safe and easy to operate, the compact 525 Waste Disposer allows operators to quickly and effectively remove waste, to create a safer and cleaner kitchen.

- ✓ Fast and efficient disposal of up to 200kg of food waste per hour.
- ✓ Handles up to 400 covers per sitting - ideal for small to medium kitchens.
- ✓ For soft waste (plate waste, vegetables and peelings, meat and fish scraps).
- ✓ Compact design allows unit to be table-mounted, for quick and easy loading.
- ✓ Manually reversible motor to extend operational life.
- ✓ Comes with rubber housing to minimise noise.
- ✓ Suitable for small to medium kitchens with single-phase power supply.

### Specifications

#### Summary

<b>Brand</b>	IMC
<b>Range</b>	Vulture
<b>Series</b>	500 Series
<b>Power Type</b>	Electric
<b>Unit Type</b>	Welded into tabling
<b>Available in UK Only</b>	No
<b>UK Warranty</b>	2 Years Parts and Labour Warranty
<b>Export Warranty</b>	Contact your local dealer
<b>Mounting</b>	In-tabling
<b>GTIN</b>	5056105199489

#### Power and Performance

<b>Total Power kW</b>	0.55
<b>HP</b>	0.75
<b>IP Rating</b>	IP55

#### Key Specifications

<b>Operator Safety</b>	Interlocks
<b>WRAS Approved</b>	WRAS Compliant [if cistern fed]
<b>Airbreak</b>	No

#### Capacity

<b>Type of Waste</b>	Soft waste
<b>Covers Per Sitting</b>	400
<b>Capacity Kg per Hour</b>	200

#### Weights and Dimensions

<b>Unit Height (External) mm</b>	630
<b>Unit Width (External) mm</b>	330
<b>Unit Depth (External) mm</b>	355
<b>Net Weight Kg</b>	19.5

#### Supply Connections

<b>Requires Installation</b>	Yes
<b>Requires Electrical Supply</b>	Yes
<b>UK 3 Pin Plug</b>	No
<b>Requires Hardwiring</b>	Yes
<b>Electrical Supply Rating Watts</b>	550
<b>Single Phase Amps</b>	5.2
<b>Single Phase Voltage</b>	230
<b>Water Supplied From</b>	Storage cistern
<b>Water Connection Pressure Bar</b>	0.4
<b>Drain Connection</b>	1.5" rubber housing
<b>Water Connection</b>	15mm

**Shipping**

<b>Packed Weight Kg</b>	21.45
<b>Packed Height cm</b>	50
<b>Packed Width cm</b>	77
<b>Packed Depth cm</b>	40

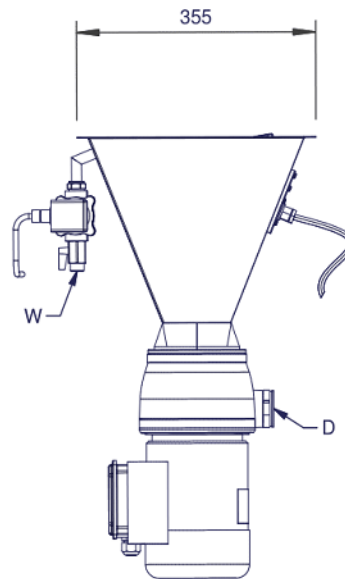
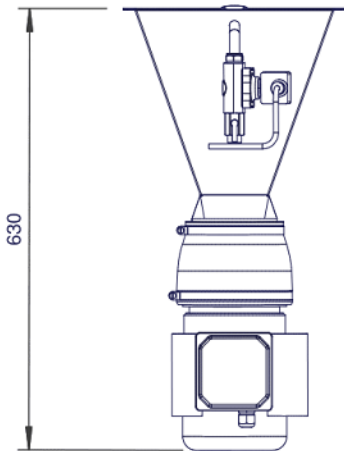
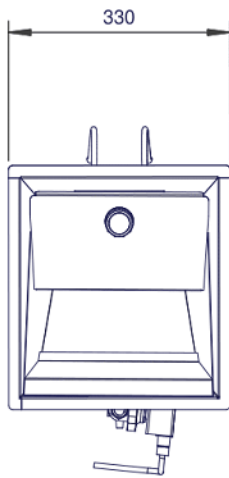
**Available Options**

**WATER FLOW CONTROL**

VS354

525 WATER FLOW CONTROL

**Technical Picture**





**Lincat Limited**

Whisby Road,  
Lincoln, LN6 3QZ,  
United Kingdom

**Company No:** 2175448

A member company of



**Customer Care**

**Tel:** +44 1522 875500  
**Email:** care@lincat.co.uk

**Export Customers**

**Tel:** +44 1522 875536  
**Email:** export@lincat.co.uk

**Opening Hours**

**Monday – Friday:**  
8.30am – 5pm