



OE8405 - Lincat Opus 800 Electric Counter-top Chargrill - W 600 mm - 8.4 kW

Embrace the unique versatility of the Opus 800 Three-Zone Electric Chargrill, which provides three heat zones that can form differing temperature on the same surface, allowing you to cook chicken fillets only inches away from steaks.

- ✓ Three multiple heat zones can form differing temperature on the same surface, allowing you to cook chicken fillets only inches away from steaks. Individual zones can be turned off during quiet periods.
- ✓ Uniquely designed radiant's add just the right level of flaring to enhance flavour whilst the heavy duty branding grids add the appetising finish
- ✓ Removable, durable, segmented cast iron grids impart attractive branding marks to food
- ✓ Hinging, interlocked elements and integral water bath makes cleaning easier
- ✓ Plumbed to water supply for quick and easy filling of water bath with alternative manual fill facility

Specifications

Summary

Brand	Lincat
Range	Opus 800
Power Type	Electric
Unit Type	Counter-top
Available in UK Only	No
UK Warranty	2 Years Parts and Labour Warranty
Export Warranty	Contact your local dealer
GTIN	5056105102878

Power and Performance

Total Power kW	8.4
Temperature Range °C	90-300
IP Rating	IP24
Cooking Area (Width x Depth) mm	560 x 530
Temperature Control	Mechanical

Key Specifications

Number of Heat Zones	3
-----------------------------	---

Capacity

Product Output per Hour	48 x 225g [8oz] steaks [chilled]
--------------------------------	----------------------------------

Weights and Dimensions

Unit Height (External) mm	415
Unit Width (External) mm	600
Unit Depth (External) mm	817
Net Weight Kg	57

Supply Connections

Requires Installation	Yes
Requires Electrical Supply	Yes
UK 3 Pin Plug	No
Requires Hardwiring	Yes
Electrical Supply Rating Watts	8,400
Three Phase Amps	L1=12.2; L2=12.2; L3=12.2
Three Phase Voltage	400
Water Connection Pressure Bar	0.2-10.0
Drain Connection	22 mm
Water Connection	3/4"

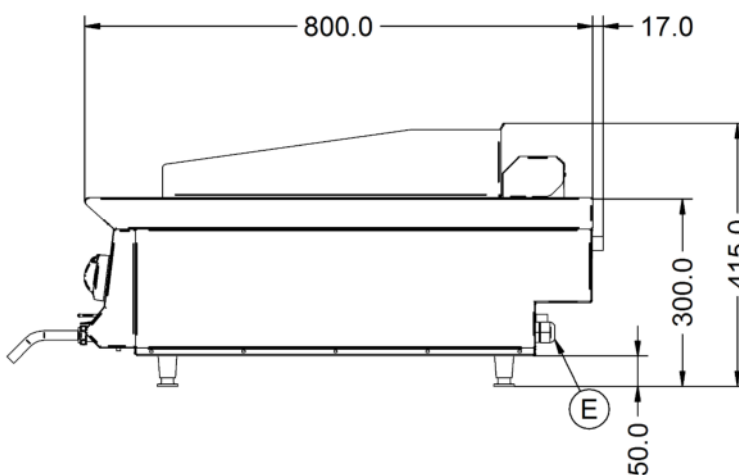
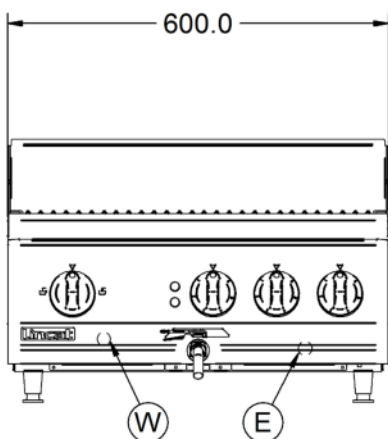
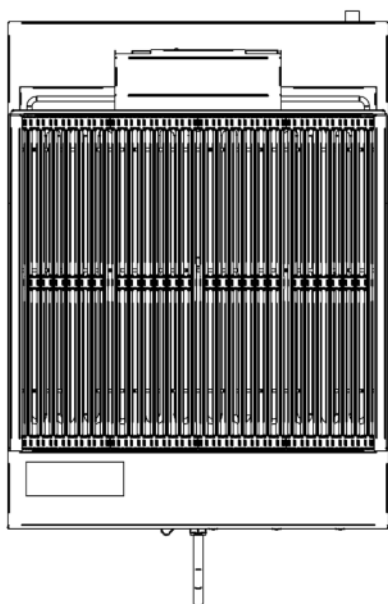
Shipping

Packed Weight Kg	62.7
Packed Height cm	64
Packed Width cm	85
Packed Depth cm	70

Available Accessories

OA8917	Lincat Opus 800 Free-standing Floor Stand with Legs - for units W 600 mm
OA8917/C	Lincat Opus 800 Free-standing Floor Stand with Castors - for units W 600 mm
OA8972	Lincat Opus 800 Free-standing Pedestal with Doors and Legs - for units W 600 mm
OA8972/C	Lincat Opus 800 Free-standing Pedestal with Doors and Castors - for units W 600 mm
OA8986	KEEP WARM SHELF - OE8405
OA8987	CONDIMENT HOLDER 2 x 1/9

Technical Picture





Lincat Limited

Whisby Road,
Lincoln, LN6 3QZ,
United Kingdom

Company No: 2175448

A member company of



Customer Care

Tel: +44 1522 875500
Email: care@lincat.co.uk

Export Customers

Tel: +44 1522 875536
Email: export@lincat.co.uk

Opening Hours

Monday – Friday:
8.30am – 5pm