



## DF49 - Lincat Silverlink 600 Electric Counter-top Single Tank Fryer - 2 Baskets - W 450 mm - 9.0 kW

The powerful Silverlink 600 Electric Single Tank Counter Top Fryer delivers 30kg of chips per hour and features a two basket operation which gives you the flexibility of cooking different foods or loads simultaneously.

- ✓ Higher powered, single tank fryer with two baskets giving you the flexibility to cook different foods or loads simultaneously, delivering 30kg of chips per hour
- ✓ Front mounted controls for safety
- ✓ Hinged elements to give easy access during cleaning
- ✓ Cool zone collects cooking debris - gives cleaner cooking results and saves money by prolonging the life of the oil
- ✓ Thermostatically controlled to give accurate cooking temperatures throughout cooking. Fail-safe top temperature cut out ensures safe operation.
- ✓ Fully moulded 304 stainless steel tank and heavy duty nickel plated baskets for the most demanding of operations
- ✓ Front drain off tap for easy removal of cooking oil

### Specifications

| Summary                     |                                   | Power and Performance       |            |
|-----------------------------|-----------------------------------|-----------------------------|------------|
| <b>Brand</b>                | Lincat                            | <b>Total Power kW</b>       | 9.0        |
| <b>Range</b>                | Silverlink 600                    | <b>Temperature Range °C</b> | 130-190    |
| <b>Power Type</b>           | Electric                          | <b>IP Rating</b>            | IP33       |
| <b>Unit Type</b>            | Counter-top                       | <b>Temperature Control</b>  | Mechanical |
| <b>Available in UK Only</b> | No                                |                             |            |
| <b>UK Warranty</b>          | 2 Years Parts and Labour Warranty |                             |            |
| <b>Export Warranty</b>      | Contact your local dealer         |                             |            |
| <b>GTIN</b>                 | 5056105104636                     |                             |            |

| Key Specifications        |               | Capacity                       |   |
|---------------------------|---------------|--------------------------------|---|
| <b>Number of Baskets</b>  | 2             | <b>Product Output per Hour</b> | 26kg chips - 12mm [frozen], 30kg chips - 12mm [chi] |
| <b>Number of Tanks</b>    | 1             | <b>Capacity Litres</b>         | 15.0  |
| <b>Gravity Filtration</b> | No            |                                |   |
| <b>Pumped Filtration</b>  | No            |                                |   |
| <b>Drain Location</b>     | Front-mounted |                                |   |

| Weights and Dimensions           |      | Supply Connections                    |                           |
|----------------------------------|------|---------------------------------------|---------------------------|
| <b>Unit Height (External) mm</b> | 330  | <b>Requires Installation</b>          | Yes                       |
| <b>Unit Width (External) mm</b>  | 450  | <b>Requires Electrical Supply</b>     | Yes                       |
| <b>Unit Depth (External) mm</b>  | 632  | <b>UK 3 Pin Plug</b>                  | No                        |
| <b>Net Weight Kg</b>             | 17.2 | <b>Requires Hardwiring</b>            | Yes                       |
|                                  |      | <b>Electrical Supply Rating Watts</b> | 9,000                     |
|                                  |      | <b>Single Phase Amps</b>              | 39.0                      |
|                                  |      | <b>Single Phase Voltage</b>           | 230                       |
|                                  |      | <b>Three Phase Amps</b>               | L1=13.0; L2=13.0; L3=13.0 |
|                                  |      | <b>Three Phase Voltage</b>            | 400                       |

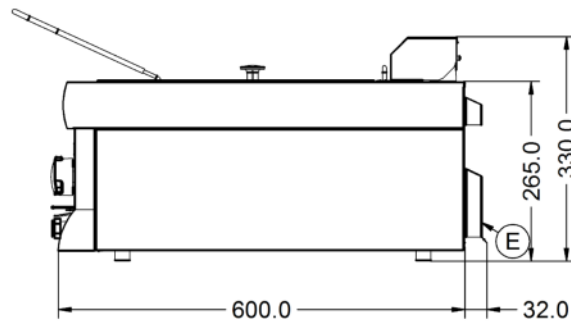
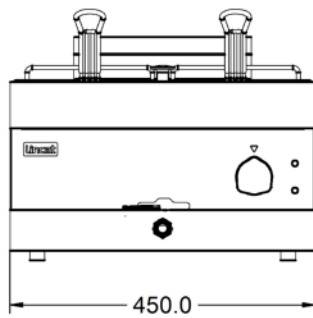
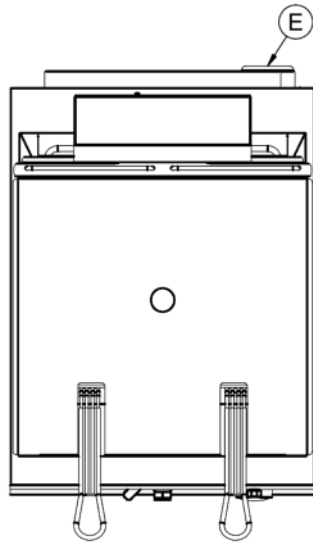
## Shipping

|                  |      |
|------------------|------|
| Packed Weight Kg | 23   |
| Packed Height cm | 49.5 |
| Packed Width cm  | 70   |
| Packed Depth cm  | 55   |

## Available Accessories

|             |   |
|-------------|---|
| <b>BA96</b> | BASKET SPUN DFSMALL   |
| <b>CC4</b>  | Lincat Silverlink 600 Free-standing Ambient Open-Top Pedestal with Doors - W 450 mm         |
| <b>CN4</b>  | Lincat Silverlink 600 Free-standing Ambient Open-Top Pedestal without Doors - W 450 mm      |
| <b>DC03</b> | DONUT KIT FOR DF46  |
| <b>HC4</b>  | Lincat Silverlink 600 Free-standing Heated Open-Top Pedestal with Doors - W 450 mm - 0.5 kW |
| <b>HCL4</b> | Lincat Silverlink 600 Free-standing Heated Pedestal with Legs and Doors - W 450 mm - 0.5 kW |
| <b>SLS4</b> | Lincat Silverlink 600 Free-standing Floor Stand - for units W 450 mm                        |

Technical Picture



**Lincat Limited**

Whisby Road,  
Lincoln, LN6 3QZ,  
United Kingdom

**Company No:** 2175448

A member company of



**Customer Care**

**Tel:** +44 1522 875500  
**Email:** care@lincat.co.uk

**Export Customers**

**Tel:** +44 1522 875536  
**Email:** export@lincat.co.uk

**Opening Hours**

**Monday – Friday:**  
8.30am – 5pm