



# HOSHIZAKI

## B-301SA/B-501SA/B-801SA STORAGE BINS

### Product Description

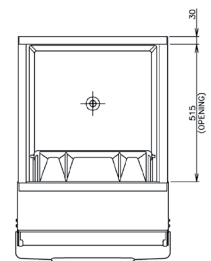
The B-301SA, B-501SA and B-801SA Storage Bins are configured perfectly with Hoshizaki Ice makers to ensure ample quantities of ice at all times.



- Foamed in place insulation, ensures low melt rate ice storage.
- The stainless steel exterior provides long lasting attractive appearance.
- Easy to clean with round edges for optimal hygiene.
- Manufactured with adjustable legs to 90 mm.
- Sturdy construction for side by side/stacked installation and non-corrosive bin liner provide safe and sanitary storage of Cube and Flake Ice.

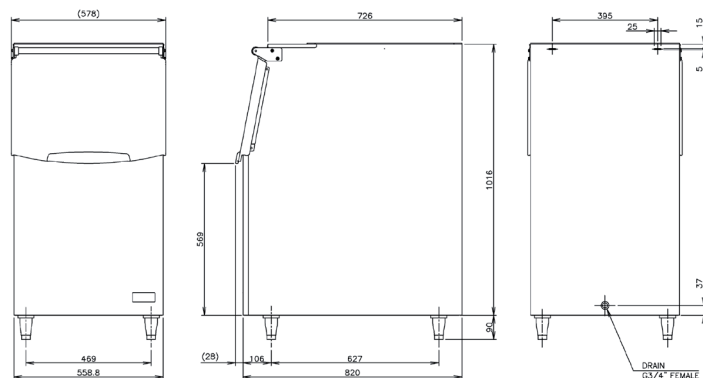
### B-301SA

Specification	
<b>Storage Capacity</b>	Up to 144 kg
<b>Exterior</b>	Stainless Steel, Galvanized Steel (Rear), Plastic Door
<b>Interior</b>	Polyurethane Foam
<b>Door Style</b>	Upward Opening
<b>Connection - Drain</b>	Outlet 3/4" (connected at rear side)
<b>Outside Dimensions</b>	558,8 x 820 x 1016 (W x D x H, mm)
<b>Adjustable Leg - Height</b>	90 - 120 mm
<b>Weight Gross/Net</b>	49kg / 37kg



D05339 / 2009.08.24

Accessories
Scoop
Leg (4 pcs)



### Two year warranty

For more information visit our website at [www.hoshizaki-europe.com](http://www.hoshizaki-europe.com)  
 Hoshizaki Europe B.V. retains the right to change products and their specifications without prior notice.



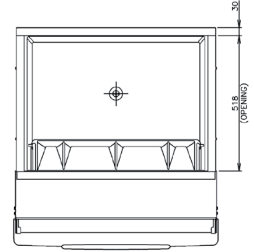


# HOSHIZAKI

## B-301SA/B-501SA/B-801SA STORAGE BINS

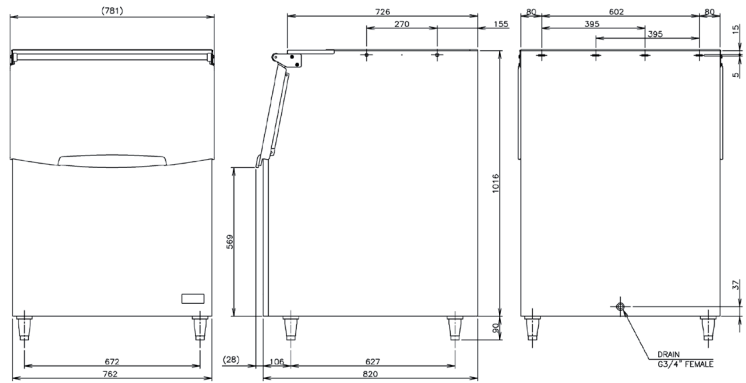
### B-501SA

Specification	
<b>Storage Capacity</b>	Up to 217 kg
<b>Exterior</b>	Stainless Steel, Galvanized Steel (Rear), Plastic Door
<b>Interior</b>	Polyurethane Foam
<b>Door Style</b>	Upward Opening
<b>Connection - Drain</b>	Outlet 3/4" (connected at rear side)
<b>Outside Dimensions</b>	762 x 820 x 1016 (W x D x H, mm)
<b>Adjustable Leg - Height</b>	90 - 120 mm
<b>Weight Gross/Net</b>	62kg / 47 kg



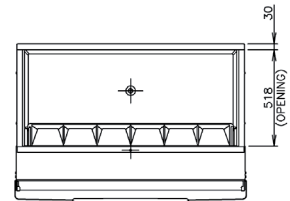
Do5340 / 2009.08.24

Accessories	
Scoop	
Leg (4 pcs)	



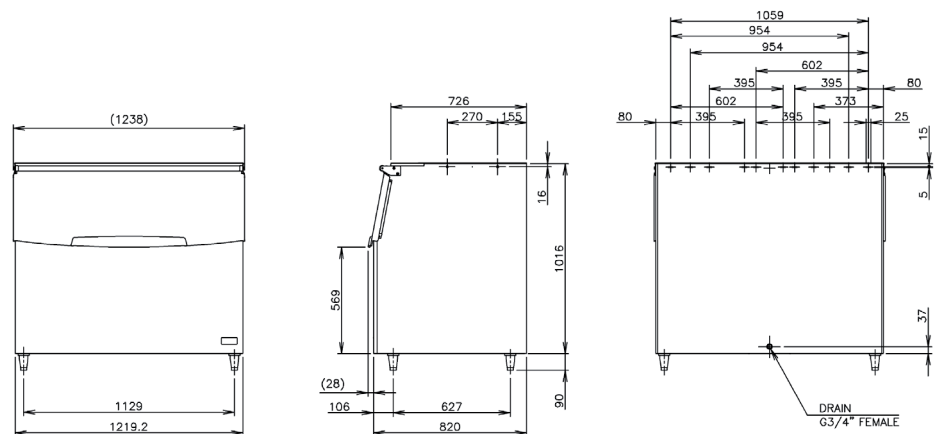
### B-801SA

Specification	
<b>Storage Capacity</b>	Up to 348 kg
<b>Exterior</b>	Stainless Steel, Galvanized Steel (Rear), Plastic Door
<b>Interior</b>	Polyurethane Foam
<b>Door Style</b>	Upward Opening
<b>Connection - Drain</b>	Outlet 3/4" (connected at rear side)
<b>Outside Dimensions</b>	1219,2 x 820 x 1016 (W x D x H, mm)
<b>Adjustable Leg - Height</b>	90 - 120 mm
<b>Weight Gross/Net</b>	86kg / 64kg



Do5341 / 2009.08.24

Accessories	
Scoop	
Leg (4 pcs)	



For more information please contact your local sales office:

Hoshizaki Belgium: info@hoshizaki.be  
 Hoshizaki Deutschland: info@hoshizaki.de  
 Hoshizaki France: info@hoshizaki.fr  
 Hoshizaki Iberia: info@hoshizaki.es  
 Hoshizaki Middle East: sales@hoshizaki.ae

Hoshizaki Nederland: sales@hoshizaki.nl  
 Hoshizaki United Kingdom: uksales@hoshizaki.co.uk  
 Other countries: sales@hoshizaki.nl

[www.hoshizaki-europe.com](http://www.hoshizaki-europe.com)