

Model:  
**TFP-32-12M-HC**

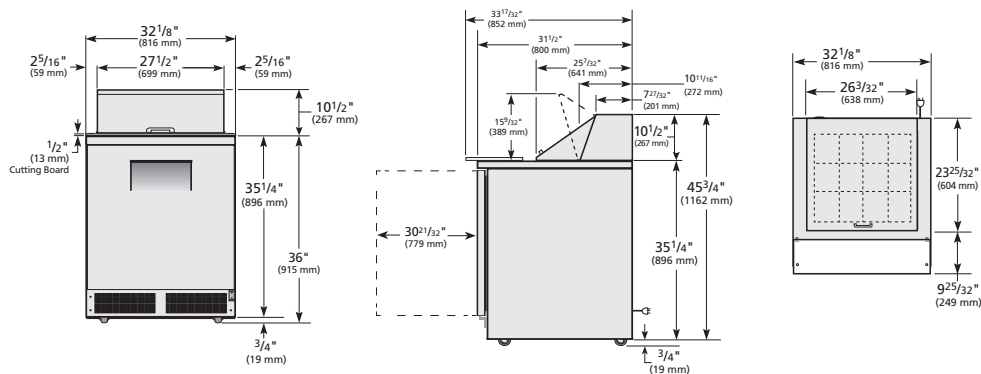
**Food Prep Table:**  
*Food Prep Unit with Hydrocarbon Refrigerant*



## TFP-32-12M-HC

- ▶ True's food prep units are designed with enduring quality that protects your long term investment.
- ▶ Energy saving, environmentally friendly, exclusive forced-air refrigeration system holds 0.5°C to 5°C.
- ▶ Exterior - stainless steel front, top and ends. GalFan coated steel back.
- ▶ Stainless steel, patented lid and hood. Removable for easy cleaning.
- ▶ Interior - attractive, NSF approved, clear coated aluminum liner. Stainless steel floor with coved corners.
- ▶ 204 mm deep, 13 mm thick, full length removable cutting board included.
- ▶ Sanitary, NSF approved white polyethylene provides tough preparation surface.
- ▶ Adjustable, heavy duty PVC coated shelves.
- ▶ Foamed-in-place using a high density, environmentally friendly polyurethane insulation.

## PLAN VIEW



## ROUGH-IN DATA

Voltage: 220-240V/50Hz

Specifications subject to change without notice.  
Chart dimensions rounded up to the next whole millimeter (inches rounded up to the next 1/16").

Model	Doors/ Drawers	Shelves	Cabinet Dimensions (mm)			HP	Amps	Pans (top)	Refrigerant	Crated Weight (kg)
			W	D†	H*					
TFP-32-12M-HC	1/0	2	816	801	1181	1/4	2,5	12	R290	148

† Depth does not include 51 mm for cutting board.

\* Height for all units are with the lid(s) closed.