



PANTHER

A great solution for holding and transporting food at the perfect temperature, the Panther 670 Series Hot Cupboard is designed to fit through narrow doorways, ideal for pubs and smaller restaurants as well as nursing and care homes where meals are to be transported from the kitchen to the residents. Perfect for plating and as a pass to front of house staff, the unit provides extra workspace or can be used as a mobile workstation. The Hot Cupboard is fan assisted, providing even heat distribution, fast heat up and recovery times, and lower energy usage. Fully 1/1 GN compatible, this unit accommodates 5 x 1/1 GN containers up to 150mm deep. Accurate digital electronic control of the hot cupboard temperature, adjustable between 20 and 99 °C, ensures compliance with food hygiene regulations.

AIA FILE NUMBER:

PRODUCT OPTIONS AND ACCESSORIES

- PLK/S PANTHER LEG KIT FOR CONVERSION IN THE FIELD
- PPB6 PPB6 - ADDITIONAL PUSHBAR

PRODUCT FEATURES

- 670mm depth allows access through narrow door openings also ideal to fit through narrow corridors
- Ideal for small restaurants, cafes and pubs, as well as nursing and care homes, where the easy transportation of plated meals to diners and residents is a necessity.
- Fan assisted hot cupboard provides even heat distribution, fast heat up and recovery times, and lower energy usage. Four shelf positions allow adjustment to meet individual needs.
- Fully 1/1 GN compatible hot cupboard for operational efficiency. Units available to take 5 x 1/1 GN containers up to 150mm deep.
- Accurate digital electronic control of the hot cupboard temperature, adjustable between 20 and 99 °C, ensures compliance with food hygiene regulations
- Double skinned construction provides efficient heat retention and a cool to touch exterior - safe and energy efficient. Removable doors and shelves allow access to the fully stainless steel interior for easy cleaning
- Supplied with two heavy duty multi-section chrome plated rod shelves capable of taking the heaviest loads

ITEM NUMBER:

WEIGHTS & DIMENSIONS

Width	1855 mil
Depth	670 mil
Height	900 mil
Weight	124.5 kg

SHIPPING DETAILS

Ship Width	188 cm
Ship Depth	90 cm
Ship Height	110 cm
Ship Weight	136.95 kg
Number of Shipment Parcels	1
Shipping Origin Zip Code	LN6 3QZ, UNITED KINGDOM
Quick Ship Product	No
Returnable Item	No

PRODUCT CERTIFICATIONS



ENERGY SPECS

Primary Energy Source Type	Electricity	Number of Electrical Conductor Wires	1
Electrical Amps	10.9	Electrical Connection Type	Cord and Plug
Electrical Voltage	230 volts	Electrical Plug Type	UK 3-Pin Plug
Electrical Watts	2500	Number of Electrical Plugs	1
Electrical Phase	Single	Dedicated Circuit Required	No
Kilowatts	2.5 kW	Energy Saving	No

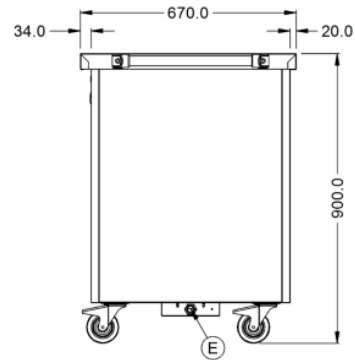
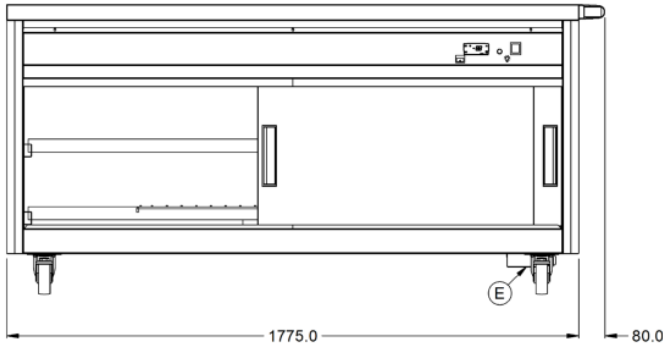
ADDITIONAL SPECIFICATIONS

Cart Style	Plated Meals and Pans	Number of Shelves	2
Control Type	Digital Touch Pad, Electronic	Plate Capacity	476
Heating System	Electric	Plate Diameter	11.25" to 12.75"
Legs or Casters	Casters	Shelf Depth	512 mm
Number of Doors	2	Shelf Width	1610 mm
Number of Shelf Positions	4	Temperature Maximum	99 °C
		Temperature Minimum	20 °C

BIDDING SPECIFICATIONS

Bidding Specifications Not Available.

TECHNICAL DRAWING



Lincat reserves the right to modify specifications or discontinue models without incurring obligation. Dimensions nominal.

Document Auto-Generated
January 23, 2024