



## V6/F - Lincat Silverlink 600 Electric Free-standing Oven - Fan-assisted - W 600 mm - 3.0 kW

The Silverlink 600 Electric Oven guarantees excellent performance and optimum efficiency.

- ✔ Fan assisted oven for superior heat distribution and reduced cooking times
- ✔ Excellent performance and optimum efficiency operating from a 13A plug
- ✔ Accommodates 2/3 gastronorms
- ✔ Rapid cool down feature
- ✔ Four shelf positions with two removable shelves
- ✔ Able to support Silverlink 600 counter top units such as boiling tops, bains marie, griddles and work tops
- ✔ Stainless steel interior with radiused corners and removable side shelf supports for easy cleaning

### Specifications

Summary		Power and Performance	
<b>Brand</b>	Lincat	<b>Total Power kW</b>	3.00
<b>Range</b>	Silverlink 600	<b>Temperature Range °C</b>	50-250
<b>Power Type</b>	Electric	<b>IP Rating</b>	IP34
<b>Unit Type</b>	Free-standing	<b>Temperature Control</b>	Mechanical
<b>Available in UK Only</b>	No	<b>Oven Rating kW</b>	3.00
<b>UK Warranty</b>	2 Years Parts and Labour Warranty		
<b>Export Warranty</b>	Contact your local dealer		
<b>GTIN</b>	5056105100195		

Key Specifications		Capacity	
<b>Number of Shelves included</b>	2	<b>Gastronorm Capacity</b>	1 x GN2/3
<b>Number of Shelf Positions</b>	4		

Weights and Dimensions		Supply Connections	
<b>Unit Height (External) mm</b>	674	<b>Requires Installation</b>	No
<b>Unit Width (External) mm</b>	600	<b>Requires Electrical Supply</b>	Yes
<b>Unit Depth (External) mm</b>	623	<b>UK 3 Pin Plug</b>	Yes
<b>Height (Internal) mm</b>	420	<b>Requires Hardwiring</b>	No
<b>Width (Internal) mm</b>	470	<b>Electrical Supply Rating Watts</b>	3,000
<b>Depth (Internal) mm</b>	335	<b>Single Phase Amps</b>	13.0
<b>Shelf Dimensions Width mm</b>	455	<b>Single Phase Voltage</b>	230
<b>Shelf Dimensions Depth mm</b>	335		
<b>Net Weight Kg</b>	45.1		

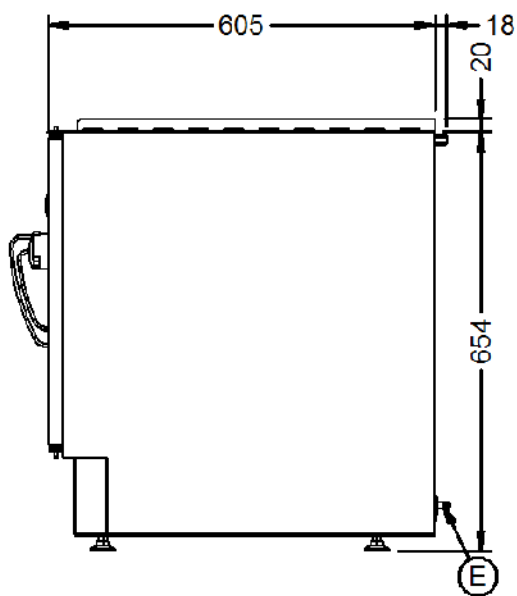
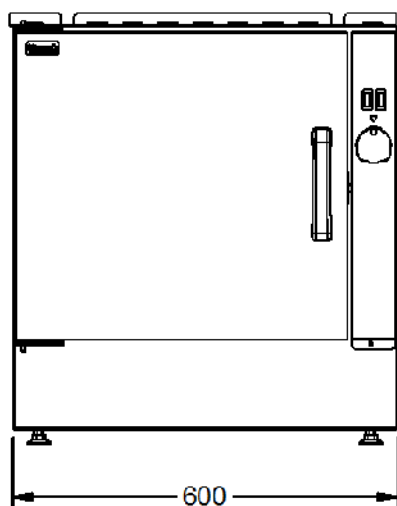
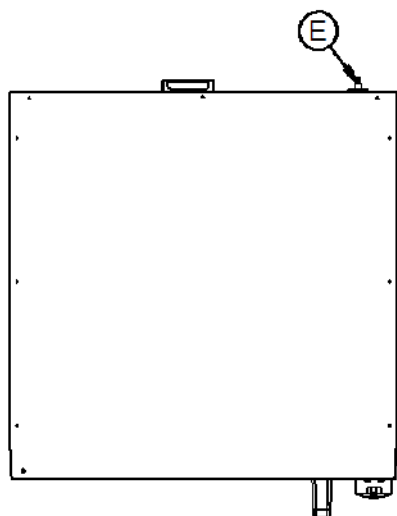
### Shipping

<b>Packed Weight Kg</b>	57.6
<b>Packed Height cm</b>	102.3
<b>Packed Width cm</b>	70.3
<b>Packed Depth cm</b>	70.3

### Available Accessories

<b>SLS6V</b>	Lincat Silverlink 600 Free-standing Floor Stand - for V6 Series Ovens - W 600 mm
<b>V6/T</b>	V6 TOP COVER - ACCESSORY ONLY

Technical Picture



**Lincat Limited**

Whisby Road,  
Lincoln, LN6 3QZ,  
United Kingdom

**Company No:** 2175448

A member company of



**Customer Care**

**Tel:** +44 1522 875500  
**Email:** care@lincat.co.uk

**Export Customers**

**Tel:** +44 1522 875536  
**Email:** export@lincat.co.uk

**Opening Hours**

**Monday – Friday:**  
8.30am – 5pm