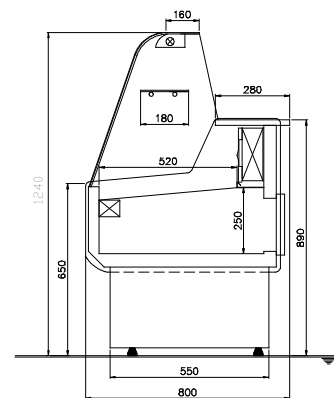


# SHADOW Slim Serve Over Counters

800mm Depth

SHAD80-150

GRANITE  
BACKSHELF



## IMPORTANT NOTE

Refrigerated serve over displays are designed to keep food products at refrigerated temperatures whilst displaying them for sale. Some counters have built in under-storage, The concept of a display counter is to display products ready for sale, the under-storage is intended to store additional products moved from a refrigerator to enable the operator to restock the display deck when products have been sold.

Many display counters are open displays and are not intended to be used as a long term storage cabinet. Serve over display need to be switching off for cleaning and regular maintenance and often require a manual defrost as in the UK many operate in high humidity conditions which can cause icing up issues.

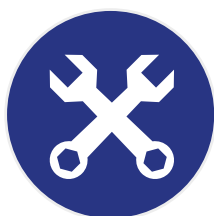
## FEATURES

- Granite backshef
- Curved glass
- Illuminated canopy
- Stainless steel deck (520mm deep)
- Intermediate shelf for ambient display
- Refrigerated under storage
- Replaceable door gaskets

## TECHNICAL SPECIFICATIONS

- Controller: Digital controller with temperature display
- Cooling: Static
- Defrost: Automatic
- Refrigerant: R290
- Climate Class: 3
- Temperature Range: +2°C ~ +5°C
- Power Supply: 13amp

MODEL	FINISH	DOOR (270x 400mm)	GROSS CAPACITY	EXT. DIMENSIONS (H x W x D mm)	POWER CONSUMPTION	WEIGHT (kg)	RRP
SHAD80-100	Light grey laminated exterior	1	97L	1240 x 1000 x 800	296W	148	
SHAD80-150		1	150L	1240 x 1500 x 800	473W	185	
SHAD80-200		2	200L	1240 x 2000 x 800	630W	215	
SHAD80-250		2	259L	1240 x 2500 x 800	786W	278	



Glass structure  
requires assembly  
on site.

