



## OE8012 - Lincat Opus 800 Electric Counter-top Boiling Top - W 600 mm - 10.4 kW

Perfect for large pubs and restaurants, school canteens, care homes and hospitals, the Four-Plate Opus 800 Electric Boiling Top is designed to deliver high volume and fast heat.

- ✔ Powerful heavy-duty cast iron 2.6kW square hotplates deliver fast responsive heat
- ✔ Fully pressed sealed hob for easy cleaning

### Specifications

#### Summary

<b>Brand</b>	Lincat
<b>Range</b>	Opus 800
<b>Power Type</b>	Electric
<b>Unit Type</b>	Counter-top
<b>Available in UK Only</b>	No
<b>UK Warranty</b>	2 Years Parts and Labour Warranty
<b>Export Warranty</b>	Contact your local dealer
<b>GTIN</b>	5056105102397

#### Power and Performance

<b>Total Power kW</b>	10.4
<b>IP Rating</b>	IP34
<b>Temperature Control</b>	Mechanical
<b>Rating per Hob kW</b>	2.6

#### Key Specifications

<b>Number of Hobs</b>	4
<b>Shape of Hob</b>	Square

#### Weights and Dimensions

<b>Unit Height (External) mm</b>	325
<b>Unit Width (External) mm</b>	600
<b>Unit Depth (External) mm</b>	800
<b>Hob Dimensions mm</b>	220 x 220
<b>Net Weight Kg</b>	60

#### Supply Connections

<b>Requires Installation</b>	Yes
<b>Requires Electrical Supply</b>	Yes
<b>UK 3 Pin Plug</b>	No
<b>Requires Hardwiring</b>	Yes
<b>Electrical Supply Rating Watts</b>	10,400
<b>Three Phase Amps</b>	L1=22.6; L2=22.6; L3=N/A
<b>Three Phase Voltage</b>	400

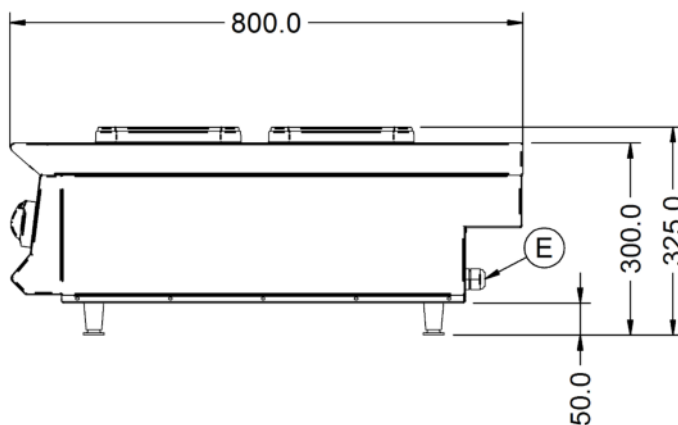
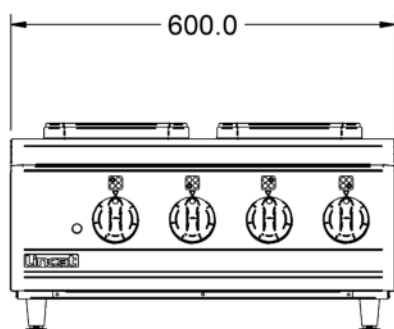
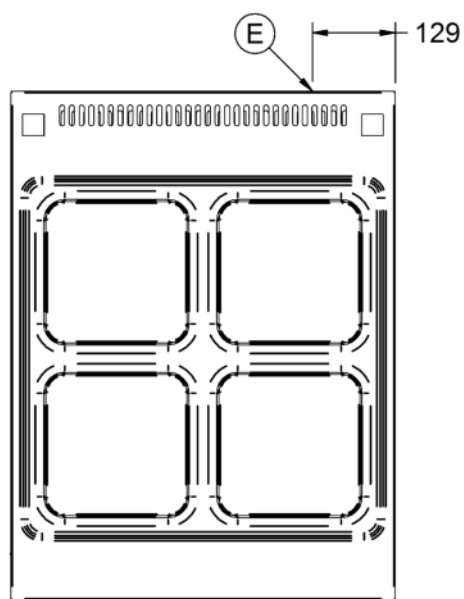
#### Shipping

<b>Packed Weight Kg</b>	66
<b>Packed Height cm</b>	46
<b>Packed Width cm</b>	70
<b>Packed Depth cm</b>	85

### Available Accessories

<b>LK11</b>	OPUS 800 LONG LEG KIT
<b>OA8917</b>	Lincat Opus 800 Free-standing Floor Stand with Legs - for units W 600 mm
<b>OA8917/C</b>	Lincat Opus 800 Free-standing Floor Stand with Castors - for units W 600 mm

### Technical Picture



**Lincat Limited**

Whisby Road,  
Lincoln, LN6 3QZ,  
United Kingdom

**Company No:** 2175448

A member company of



**Customer Care**

**Tel:** +44 1522 875500  
**Email:** care@lincat.co.uk

**Export Customers**

**Tel:** +44 1522 875536  
**Email:** export@lincat.co.uk

**Opening Hours**

**Monday – Friday:**  
8.30am – 5pm