



OD8007/N - Lincat Opus 800 Dual Fuel [Natural Gas] Free-standing Oven Range - 6 Burners - W 900 mm - 45.0 kW

This powerful Opus 800 dual fuel oven is built to deliver high volumes of top quality food and will withstand the rigours of even the busiest kitchen.

- ✓ Powerful 7.5kW dual concentric Burners for focused heat distribution from a fast boil to a low simmer
- ✓ Individual heavy-duty single cast iron supports, built to withstand the rigours of the busiest kitchen
- ✓ Low flue to allow use of the complete hob top
- ✓ Powerful 6kW twin fan assisted oven for even cooking results
- ✓ Large 6 x GN1/1 capacity oven enabling six different foods to be cooked simultaneously
- ✓ Dual Fuel Oven Ranges

Specifications

Summary

| | |
|-----------------------------|-----------------------------------|
| Brand | Lincat |
| Range | Opus 800 |
| Power Type | Dual Fuel |
| Gas Type | Natural Gas |
| Unit Type | Free-standing |
| Available in UK Only | No |
| UK Warranty | 2 Years Parts and Labour Warranty |
| Export Warranty | Contact your local dealer |
| GTIN | 5056105102328 |

Power and Performance

| | |
|-----------------------------|------------|
| BTU per Hour | 153,540 |
| Total Power kW | 45.0 |
| Temperature Range °C | 120-250 |
| IP Rating | IP24 |
| Temperature Control | Mechanical |
| Rating per Hob kW | 7.5 |
| Oven Rating kW | 6.0 |

Key Specifications

| | |
|-----------------------------------|--------|
| Number of Shelves included | 3 |
| Number of Shelf Positions | 5 |
| Number of Hobs | 6 |
| Shape of Hob | Square |

Capacity

| | |
|----------------------------|-----------|
| Gastronorm Capacity | 6 x GN1/1 |
|----------------------------|-----------|

Weights and Dimensions

| | |
|----------------------------------|-----------|
| Unit Height (External) mm | 912 |
| Unit Width (External) mm | 900 |
| Unit Depth (External) mm | 800 |
| Height (Internal) mm | 410 |
| Width (Internal) mm | 825 |
| Depth (Internal) mm | 530 |
| Shelf Dimensions Width mm | 770 |
| Shelf Dimensions Depth mm | 530 |
| Hob Dimensions mm | 300 x 300 |
| Net Weight Kg | 186 |

Supply Connections

| | |
|---|------------------------|
| Requires Installation | Yes |
| Requires Electrical Supply | Yes |
| UK 3 Pin Plug | No |
| Requires Hardwiring | Yes |
| Electrical Supply Rating Watts | 6,060 |
| Single Phase Amps | 26.0 |
| Single Phase Voltage | 230 |
| Three Phase Amps | L1=9.0; L2=8.7; L3=8.7 |
| Three Phase Voltage | 400 |
| Gas Connection BSP | 3/4" |
| Gas Consumption at full rate Natural m³ per Hour | 4.29 |
| Gas Pressure Natural mbar | 20 |
| Total heat input at full rate Natural kW | 45.0 |
| Total heat input at full rate Natural BTU per hour | 153,546 |

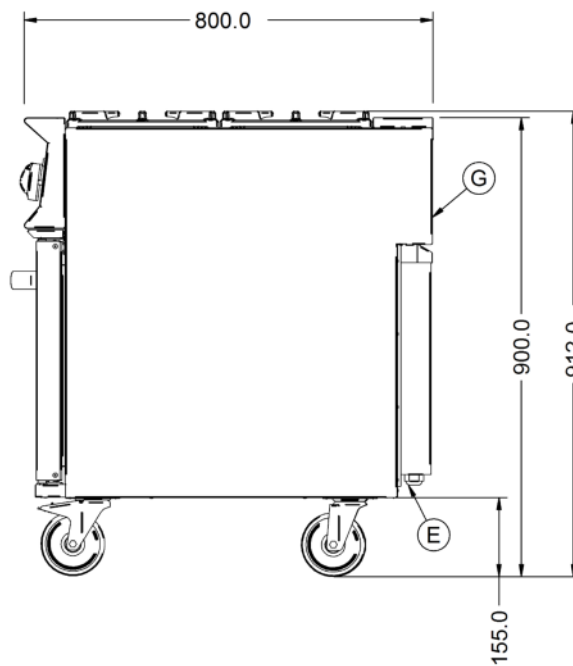
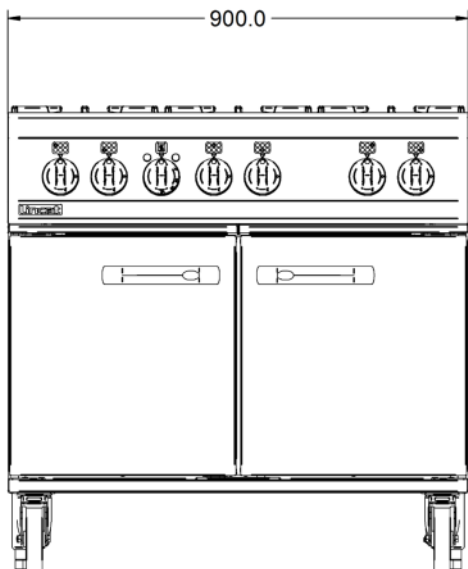
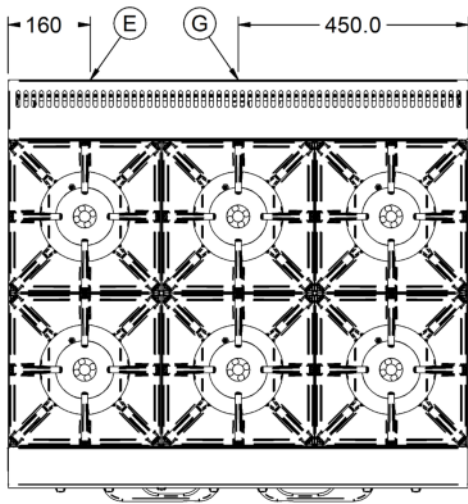
Shipping

| | |
|------------------|-------|
| Packed Weight Kg | 204.6 |
| Packed Height cm | 107 |
| Packed Width cm | 100 |
| Packed Depth cm | 85 |

Available Accessories

| | |
|--------|---------------------------|
| LK06 | OPUS 800 LEG KIT |
| OA8985 | SPLASHBACK/SHELF - OD8007 |

Technical Picture





Lincat Limited

Whisby Road,
Lincoln, LN6 3QZ,
United Kingdom

Company No: 2175448

A member company of



Customer Care

Tel: +44 1522 875500
Email: care@lincat.co.uk

Export Customers

Tel: +44 1522 875536
Email: export@lincat.co.uk

Opening Hours

Monday – Friday:
8.30am – 5pm