

LM09/N - Lincat Phoenix Natural Gas Free-standing General Purpose Oven - W 900 mm - 8.25 kW

Robust and reliable, the Phoenix General Purpose Gas Oven range won't let you down.

- ✓ Robust and reliable oven for baking, roasting and reheating
- ✓ Impressively high capacity 6 x 1/1GN, enabling six different foods to be cooked simultaneously
- ✓ Powerful 8kW oven

Specifications

Summary Power and Performance

Brand	Lincat	BTU per Hour	28,149
Range	Phoenix	Total Power kW	8.25
Power Type	Gas	Temperature Range °C	130-265
Gas Type	Natural Gas	Temperature Control	Mechanical
Unit Type	Free-standing	Oven Rating kW	8.25
Available in UK Only	No		
UK Warranty	2 Years Parts and Labour Warranty		
Export Warranty	Contact your local dealer		
GTIN	5056105102120		

Key Specifications Capacity

Number of Shelves included	3	Gastronorm Capacity	2 x GN1/1 per shelf
Number of Shelf Positions	4		

Weights and Dimensions Supply Connections

Unit Height (External) mm	936	Requires Installation	Yes
Unit Width (External) mm	900	Requires Electrical Supply	No
Unit Depth (External) mm	730	Gas Connection BSP	1/2"
Height (Internal) mm	480	Gas Consumption at full rate Natural m³ per Hour	0.74
Width (Internal) mm	726	Gas Pressure Natural mbar	20
Depth (Internal) mm	522	Total heat input at full rate Natural kW	8.25
Shelf Dimensions Width mm	710	Total heat input at full rate Natural BTU per hour	44,000
Shelf Dimensions Depth mm	522		
Net Weight Kg	102		

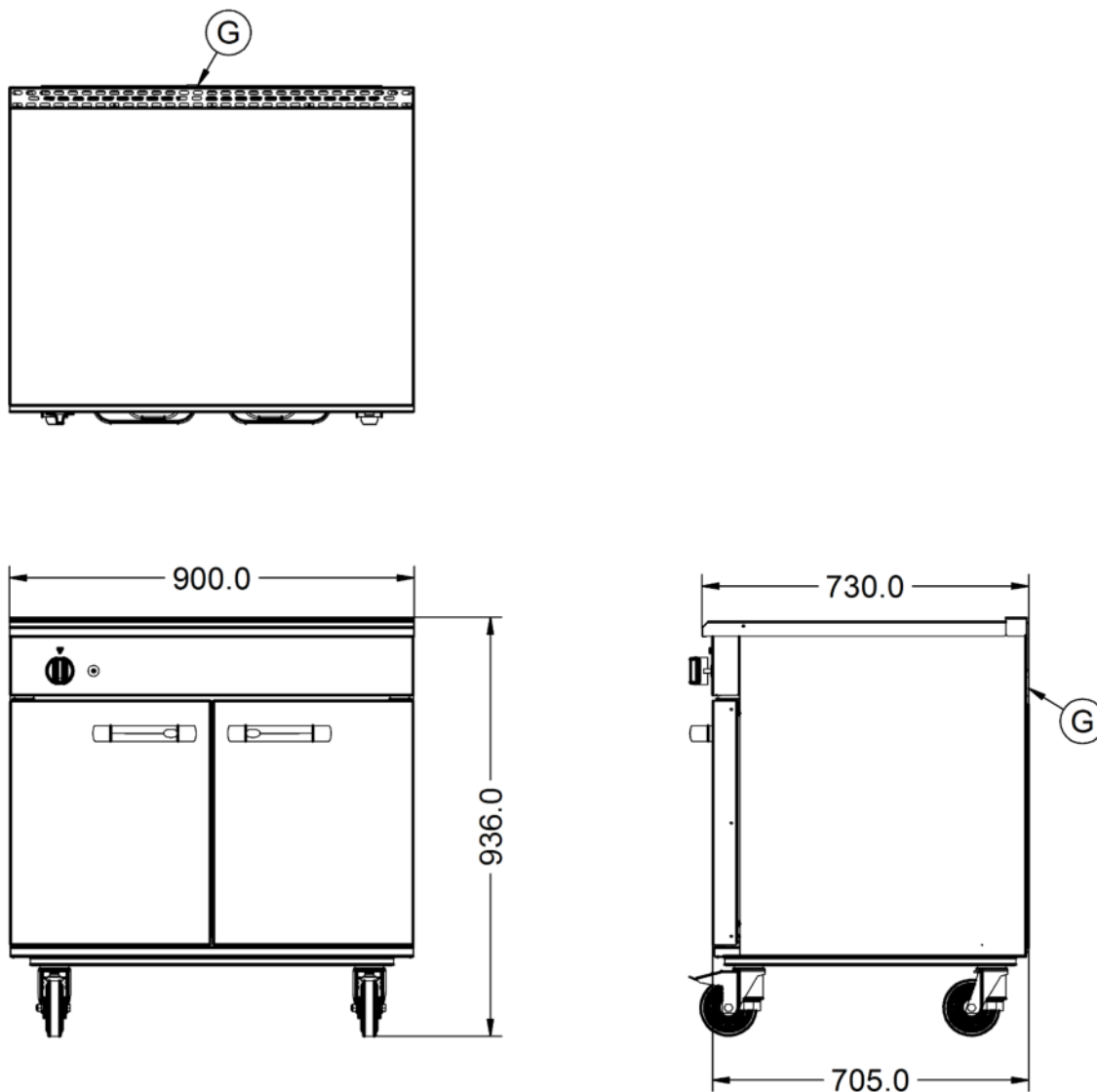
Shipping

Packed Weight Kg	120
Packed Height cm	104
Packed Width cm	100
Packed Depth cm	85

Available Accessories

CH01	Caterflex Hose 1/2" - 1 Metre - for use with units up to 66,000 BTU
CH02	Caterflex Hose 1/2" - 1.5 Metre - for use with units up to 56,000 BTU

Technical Picture



Lincat Limited

Whisby Road,
Lincoln, LN6 3QZ,
United Kingdom

Company No: 2175448

A member company of



Customer Care

Tel: +44 1522 875500
Email: care@lincat.co.uk

Export Customers

Tel: +44 1522 875536
Email: export@lincat.co.uk

Opening Hours

Monday – Friday:
8.30am – 5pm