



C6R/130BL - Lincat Seal
650 Series Counter-top
Curved Front
Refrigerated
Merchandiser - Back-
Service - Side-Mounted
Power Pack [Left] - W
1300 mm - 0.7 kW

Enhance your food sales by showcasing sandwiches, baguettes, yoghurts, fruit and drinks in the Seal 650 Range Curved Front Refrigerated Merchandiser.

- ✓ Using precise thermostatic control this unit holds food from 3°C - 7°C. It enables the user to accurately monitor the temperature of product for the absolute best results
- ✓ Digital display which gives clear indication of temperature to the user
- ✓ The unit is double glazed which keeps the cool air locked in, this in turn gives the customer better results while also saving money through energy efficiency.
- ✓ Provides daylight balanced illumination, which lights up the units interior and spotlights each product
- ✓ Options for self service or back service are also available.
- ✓ Spacious unit enabling you to showcase a wide variety of product

Specifications

Summary		Power and Performance	
Brand	Lincat	Total Power kW	0.700
Range	Seal	Temperature Range °C	3-7
Series	650 Series	IP Rating	IP33
Power Type	Electric	Temperature Control	Electronic
Unit Type	Counter-top		
Available in UK Only	No		
UK Warranty	2 Years Parts and Labour Warranty		
Export Warranty	Contact your local dealer		
GTIN	5056105103950		

Key Specifications

Number of Shelves included	2
Number of Shelf Positions	2
Refrigerant Type	R452a
Service Type	Back service
Type of Lighting	Fluorescent

Weights and Dimensions

Unit Height (External) mm	755
Unit Width (External) mm	1300
Unit Depth (External) mm	650
Height (Internal) mm	560
Width (Internal) mm	960
Depth (Internal) mm	570
Shelf Dimensions Width mm	900
Shelf Dimensions Depth mm	525
Net Weight Kg	120.5

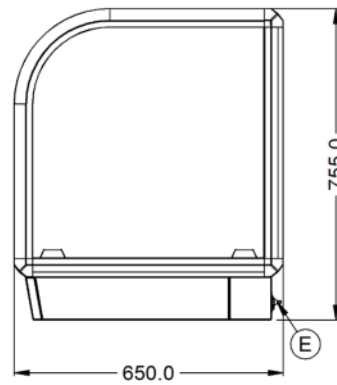
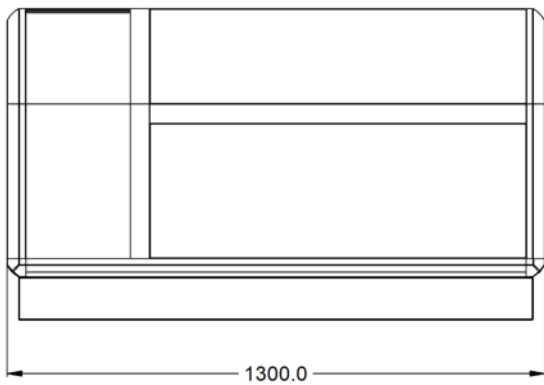
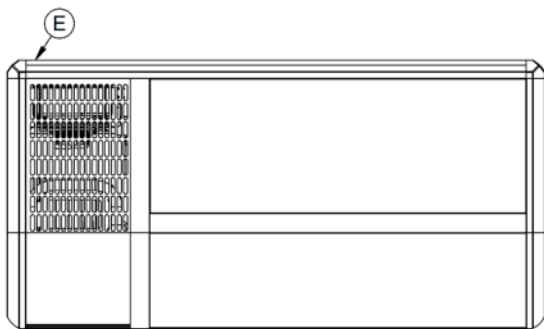
Supply Connections

Requires Installation	No
Requires Electrical Supply	Yes
UK 3 Pin Plug	Yes
Requires Hardwiring	No
Electrical Supply Rating Watts	717
Single Phase Amps	3.10
Single Phase Voltage	230

Shipping

Packed Weight Kg	132.55
Packed Height cm	90
Packed Width cm	140
Packed Depth cm	75

Technical Picture





Lincat Limited

Whisby Road,
Lincoln, LN6 3QZ,
United Kingdom

Company No: 2175448

A member company of



Customer Care

Tel: +44 1522 875500
Email: care@lincat.co.uk

Export Customers

Tel: +44 1522 875536
Email: export@lincat.co.uk

Opening Hours

Monday – Friday:
8.30am – 5pm