



C6R/105SR - Lincat Seal  
650 Series Counter-top  
Curved Front  
Refrigerated  
Merchandiser - Self-  
Service - Side-Mounted  
Power Pack [Right] - W  
1050 mm - 0.6 kW

Enhance your food sales by showcasing sandwiches, baguettes, yoghurts, fruit and drinks in the Seal 650 Range Curved Front Refrigerated Merchandiser.

- ✓ Using precise thermostatic control this unit holds food from 3°C - 7°C. It enables the user to accurately monitor the temperature of product for the absolute best results
- ✓ Digital display which gives clear indication of temperature to the user
- ✓ The unit is double glazed which keeps the cool air locked in, this in turn gives the customer better results while also saving money through energy efficiency.
- ✓ Provides daylight balanced illumination, which lights up the units interior and spotlights each product
- ✓ Options for self service or back service are also available.
- ✓ Spacious unit enabling you to showcase a wide variety of product

**Specifications**

**Summary** **Power and Performance**

<b>Brand</b>	Lincat	<b>Total Power kW</b>	0.600
<b>Range</b>	Seal	<b>Temperature Range °C</b>	3-7
<b>Series</b>	650 Series	<b>IP Rating</b>	IP33
<b>Power Type</b>	Electric	<b>Temperature Control</b>	Electronic
<b>Unit Type</b>	Counter-top		
<b>Available in UK Only</b>	No		
<b>UK Warranty</b>	2 Years Parts and Labour Warranty		
<b>Export Warranty</b>	Contact your local dealer		
<b>GTIN</b>	5056105103929		

**Key Specifications**

<b>Number of Shelves included</b>	2
<b>Number of Shelf Positions</b>	2
<b>Refrigerant Type</b>	R452a
<b>Service Type</b>	Self service
<b>Type of Lighting</b>	Fluorescent

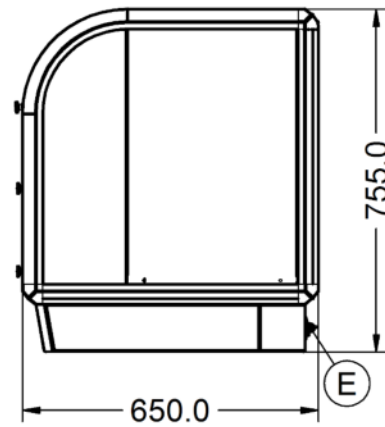
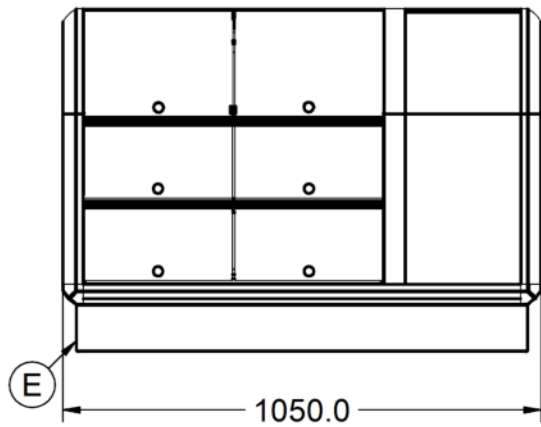
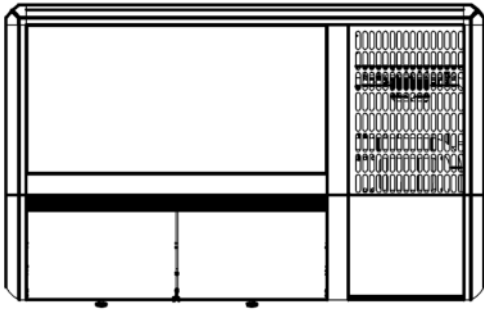
**Weights and Dimensions** **Supply Connections**

<b>Unit Height (External) mm</b>	755	<b>Requires Installation</b>	No
<b>Unit Width (External) mm</b>	1050	<b>Requires Electrical Supply</b>	Yes
<b>Unit Depth (External) mm</b>	650	<b>UK 3 Pin Plug</b>	Yes
<b>Height (Internal) mm</b>	560	<b>Requires Hardwiring</b>	No
<b>Width (Internal) mm</b>	685	<b>Electrical Supply Rating Watts</b>	604
<b>Depth (Internal) mm</b>	570	<b>Single Phase Amps</b>	2.60
<b>Shelf Dimensions Width mm</b>	650	<b>Single Phase Voltage</b>	230
<b>Shelf Dimensions Depth mm</b>	525		
<b>Net Weight Kg</b>	93.9		

Shipping

Packed Weight Kg	103.29
Packed Height cm	90
Packed Width cm	115
Packed Depth cm	75

Technical Picture





**Lincat Limited**

Whisby Road,  
Lincoln, LN6 3QZ,  
United Kingdom

**Company No:** 2175448

A member company of



**Customer Care**

**Tel:** +44 1522 875500  
**Email:** care@lincat.co.uk

**Export Customers**

**Tel:** +44 1522 875536  
**Email:** export@lincat.co.uk

**Opening Hours**

**Monday – Friday:**  
8.30am – 5pm