



C6R/105BL - Lincat Seal
650 Series Counter-top
Curved Front
Refrigerated
Merchandiser - Back-
Service - Side-Mounted
Power Pack [Left] - W
1050 mm - 0.6 kW

Enhance your food sales by showcasing sandwiches, baguettes, yoghurts, fruit and drinks in the Seal 650 Range Curved Front Refrigerated Merchandiser.

- ✓ Using precise thermostatic control this unit holds food from 3°C - 7°C. It enables the user to accurately monitor the temperature of product for the absolute best results
- ✓ Digital display which gives clear indication of temperature to the user
- ✓ The unit is double glazed which keeps the cool air locked in, this in turn gives the customer better results while also saving money through energy efficiency.
- ✓ Provides daylight balanced illumination, which lights up the units interior and spotlights each product
- ✓ Options for self service or back service are also available.
- ✓ Spacious unit enabling you to showcase a wide variety of product

Specifications

Summary **Power and Performance**

<p>Brand Lincat</p> <p>Range Seal</p> <p>Series 650 Series</p> <p>Power Type Electric</p> <p>Unit Type Counter-top</p> <p>Available in UK Only No</p> <p>UK Warranty 2 Years Parts and Labour Warranty</p> <p>Export Warranty Contact your local dealer</p> <p>GTIN 5056105103899</p>	<p>Total Power kW 0.600</p> <p>Temperature Range °C 3-7</p> <p>IP Rating IP33</p> <p>Temperature Control Electronic</p>
--	---

Key Specifications

Number of Shelves included	2
Number of Shelf Positions	2
Refrigerant Type	R452a
Service Type	Back service
Type of Lighting	Fluorescent

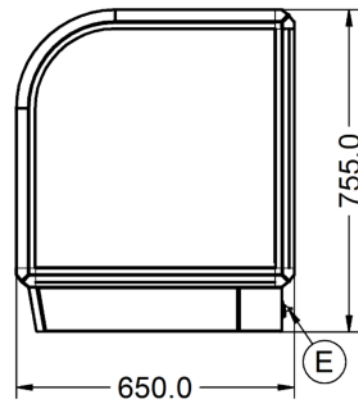
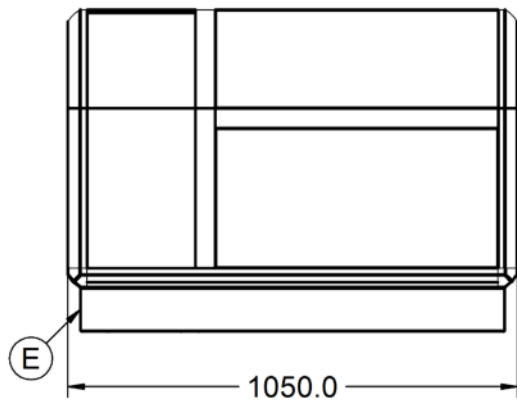
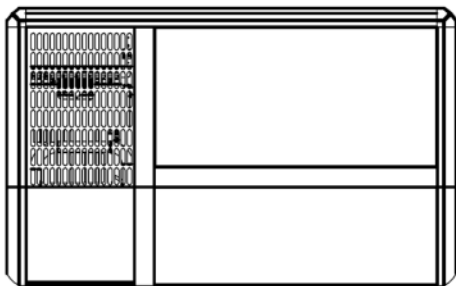
Weights and Dimensions **Supply Connections**

<p>Unit Height (External) mm 755</p> <p>Unit Width (External) mm 1050</p> <p>Unit Depth (External) mm 650</p> <p>Height (Internal) mm 560</p> <p>Width (Internal) mm 685</p> <p>Depth (Internal) mm 570</p> <p>Shelf Dimensions Width mm 650</p> <p>Shelf Dimensions Depth mm 525</p> <p>Net Weight Kg 96</p>	<p>Requires Installation No</p> <p>Requires Electrical Supply Yes</p> <p>UK 3 Pin Plug Yes</p> <p>Requires Hardwiring No</p> <p>Electrical Supply Rating Watts 604</p> <p>Single Phase Amps 2.60</p> <p>Single Phase Voltage 230</p>
--	---

Shipping

Packed Weight Kg	105.6
Packed Height cm	90
Packed Width cm	115
Packed Depth cm	75

Technical Picture





Lincat Limited

Whisby Road,
Lincoln, LN6 3QZ,
United Kingdom

Company No: 2175448

A member company of



Customer Care

Tel: +44 1522 875500
Email: care@lincat.co.uk

Export Customers

Tel: +44 1522 875536
Email: export@lincat.co.uk

Opening Hours

Monday – Friday:
8.30am – 5pm