



C6H/75S - Lincat Seal 650 Series Counter-top Curved Front Heated Merchandiser - Self-Service - W 750 mm - 1.52 kW

Keep hot meats, pasties, pies and other foods at the perfect temperature with the Seal 650 Range Curved Front Heated Merchandiser.

- ✓ Elegant curved design with extruded aluminium frames and metallic silver finish enhances display without detracting from the contents
- ✓ Precise thermostatic control up to 95°C with digital display of cabinet temperature ensures food is maintained at a safe temperature
- ✓ Minimum food holding temperature of 72°C
- ✓ Humidity feature prevents food drying out - food stays in optimum condition for longer, reducing waste
- ✓ All-round visibility to maximise food sales potential
- ✓ Daylight-balanced illumination to enhance display of contents with easy change clip-in fluorescent light tubes

Specifications

Summary

Brand	Lincat
Range	Seal
Series	650 Series
Power Type	Electric
Unit Type	Counter-top
Available in UK Only	No
UK Warranty	2 Years Parts and Labour Warranty
Export Warranty	Contact your local dealer
GTIN	5056105103868

Power and Performance

Total Power kW	1.52
Temperature Range °C	72-95
IP Rating	IP33
Temperature Control	Electronic

Key Specifications

Number of Shelves included	3
Number of Shelf Positions	3
Service Type	Self service
Rack Type	Static
Type of Lighting	Fluorescent
Heated Base	Yes

Weights and Dimensions

Unit Height (External) mm	755
Unit Width (External) mm	750
Unit Depth (External) mm	650
Shelf Dimensions Width mm	650
Shelf Dimensions Depth mm	525
Net Weight Kg	53

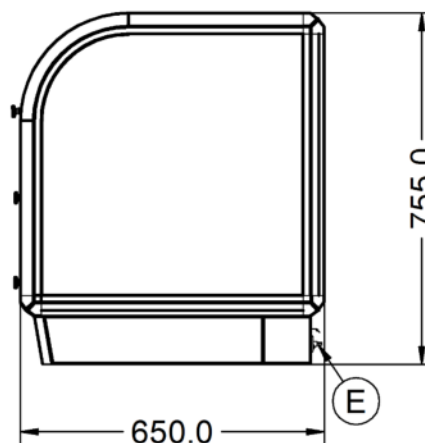
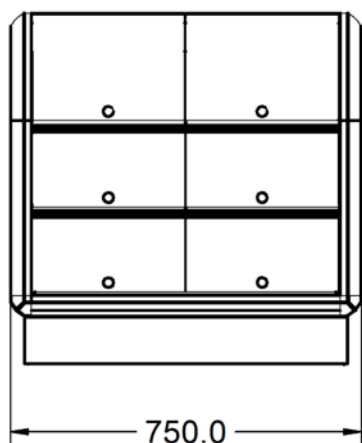
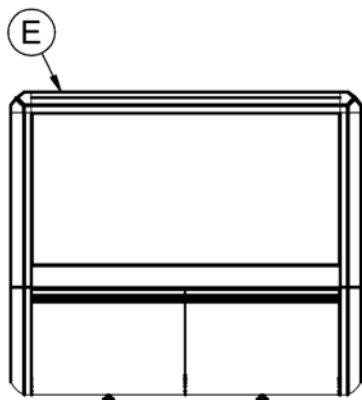
Supply Connections

Requires Installation	No
UK 3 Pin Plug	Yes
Requires Hardwiring	No
Electrical Supply Rating Watts	1,520
Single Phase Amps	6.6
Single Phase Voltage	230

Shipping

Packed Weight Kg	67
Packed Height cm	89
Packed Width cm	100
Packed Depth cm	85

Technical Picture



Lincat Limited

Whisby Road,
Lincoln, LN6 3QZ,
United Kingdom

Company No: 2175448

A member company of



Customer Care

Tel: +44 1522 875500
Email: care@lincat.co.uk

Export Customers

Tel: +44 1522 875536
Email: export@lincat.co.uk

Opening Hours

Monday – Friday:
8.30am – 5pm