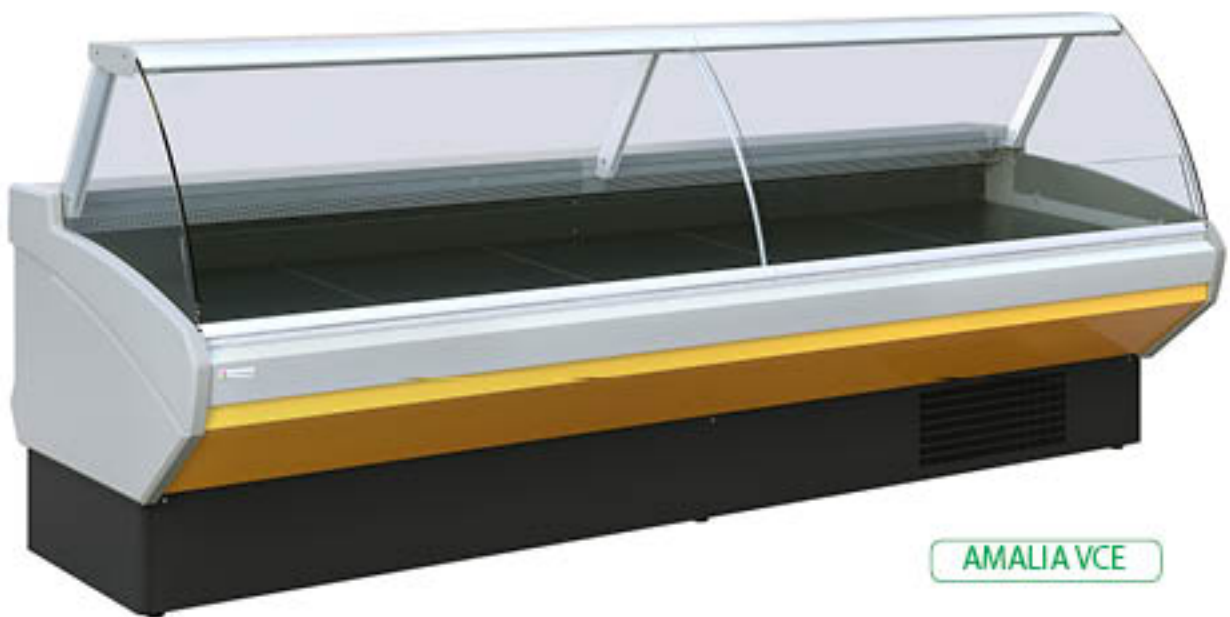
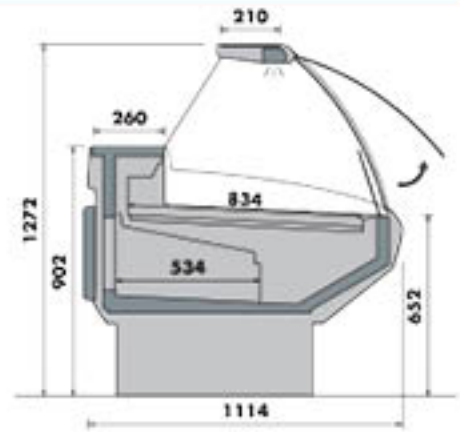


Amalia VCE Curved Glass Serve Over

- Temp range: $\pm 0^{\circ}\text{C}/+5^{\circ}\text{C}$
- Fan assisted
- Refrigerated storage
- Hydraulically hinged curved glass
- Aluminium top
- Multiplexable
- Digital controller



AMALIA VCE

Options

- Remote
- Without refrigerated storage
- Internal & external 90° corners
- Matching Heated display

| Model | Dimensions (L x D x H mm) | Weight (Kg) |
|-------------|---------------------------|-------------|
| 1m Amalia | 1017 x 1114 x 1208 | 135 |
| 1.3m Amalia | 1330 x 1114 x 1208 | 166 |
| 1.6m Amalia | 1642 x 1114 x 1208 | 195 |
| 2m Amalia | 1955 x 1114 x 1208 | 255 |
| 2.5m Amalia | 2580 x 1114 x 1208 | 315 |
| 3.2m Amalia | 3205 x 1114 x 1208 | 360 |
| 3.8m Amalia | 3830 x 1114 x 1208 | 400 |

Length of cases indicated with end panel. Thickness of end panel 30mm.

Please Refer to Manufacturers Catalogue for Full Product Specifications